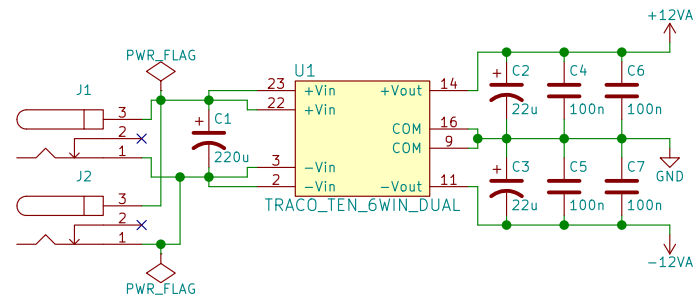
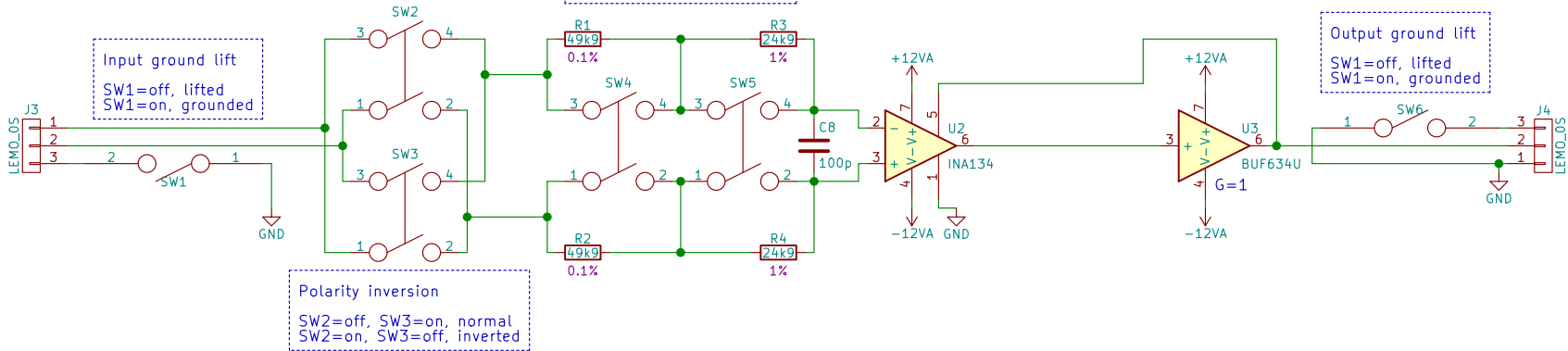


Two power inputs/outputs to allow chaining multiple boards from the same PSU
 INPUT = 9V - 36V



Signal attenuation
 SW4=off, SW5=off, -12dB
 SW4=off, SW5=on, -10dB
 SW4=on, SW5=off, -6dB
 SW4=on, SW5=on, 0dB



Input ground lift
 SW1=off, lifted
 SW1=on, grounded

Polarity inversion
 SW2=off, SW3=on, normal
 SW2=on, SW3=off, inverted

Output ground lift
 SW1=off, lifted
 SW1=on, grounded

D. Lampridis
 (based on T. Wlostowski's original design for Altium)
CERN, BE-CO-HT

Sheet: /
 File: diff_driver.sch

Title: OASIS cable driver

Size: A4 Date: 2016-07-28
 KiCad E.D.A. kicad 4.0.2+dfsg1-stable

Rev: 1.0
 Id: 1/1