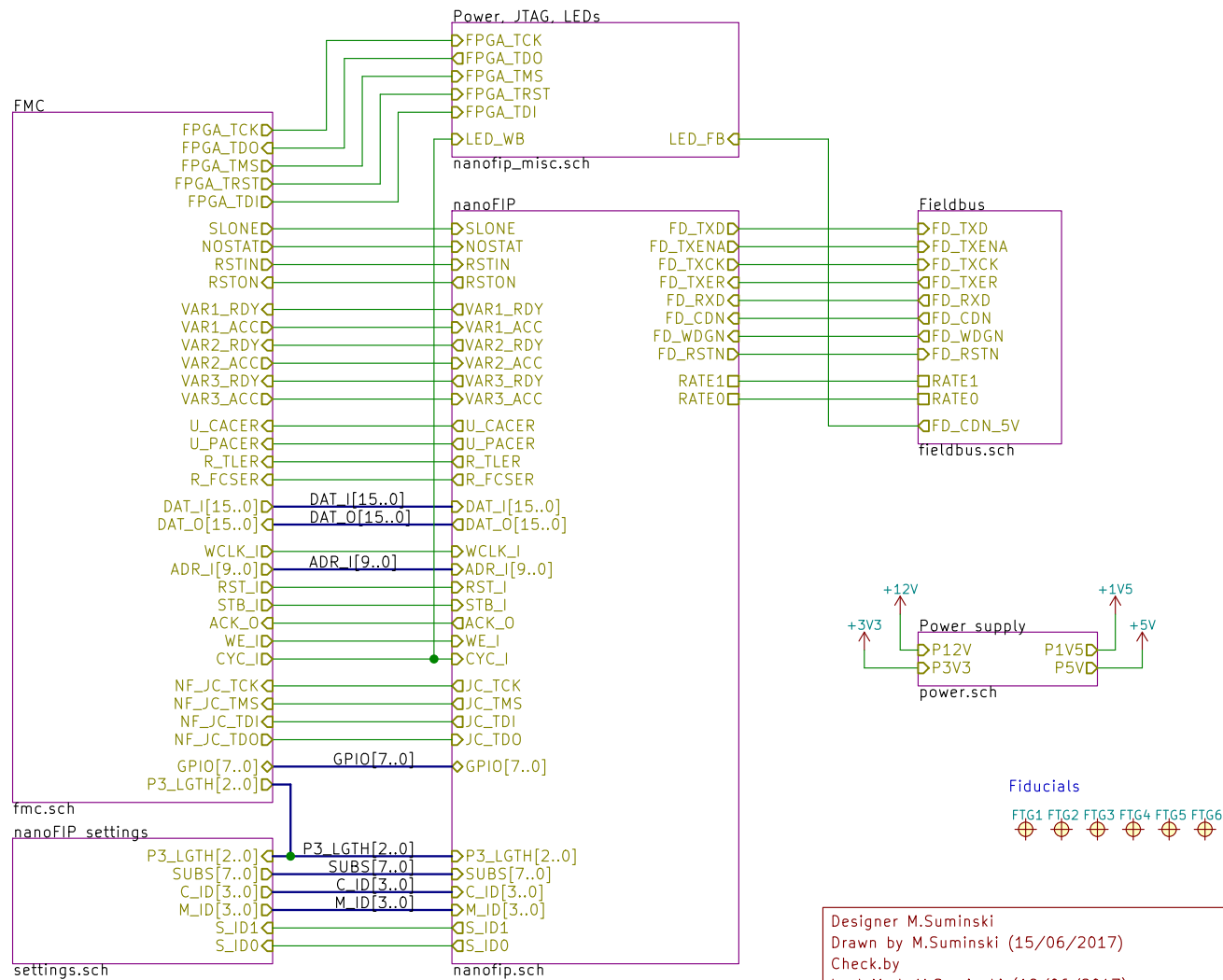


Copyright CERN 2017.  
 This documentation describes Open Hardware and is licensed under the CERN OHL v.1.2.  
 You may redistribute and modify this under the terms of the CERN OHL v.1.2. (<http://ohwr.org/CERNOHL>).  
 This documentation is distributed ANY EXPRESS OR IMPLIED WARRANTY,  
 INCLUDING OF MERCHANTABILITY, SATISFACTORY AND FITNESS FOR A PARTICULAR PURPOSE.  
 Please see the CERN OHL v.1.2 for applicable conditions.



Designer M.Suminski  
 Drawn by M.Suminski (15/06/2017)  
 Check.by  
 Last Mod. M.Suminski (19/06/2017)  
**CERN**

Sheet: /  
 File: fmc-nanofip.sch

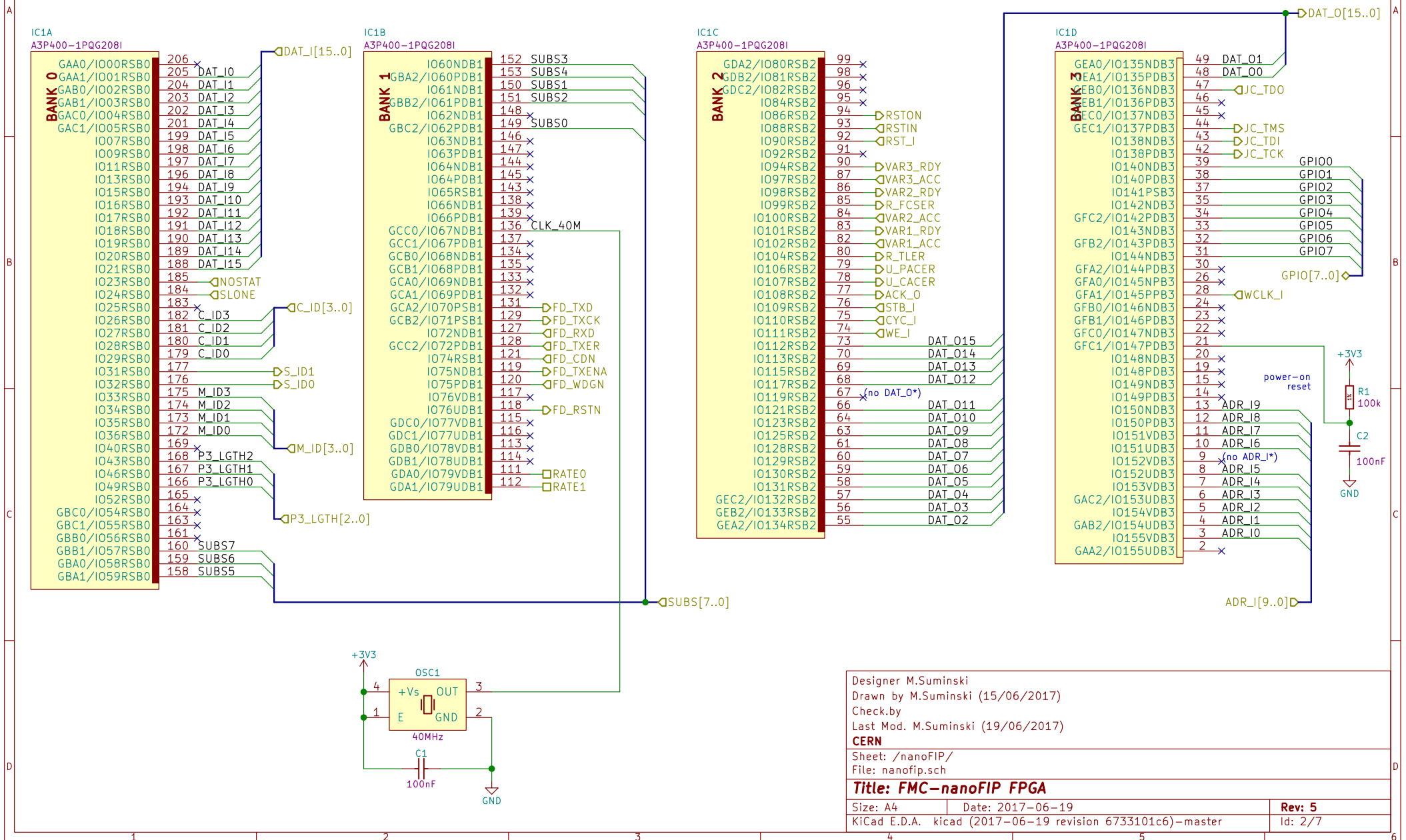
**Title: FMC-nanoFIP**

Size: A4	Date: 2017-06-19	Rev: 5
KiCad E.D.A. kicad (2017-06-19 revision 6733101c6)-master		Id: 1/7

Copyright CERN 2017.

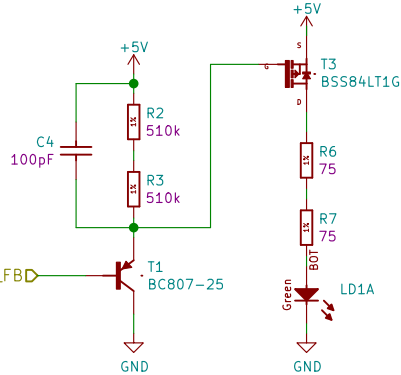
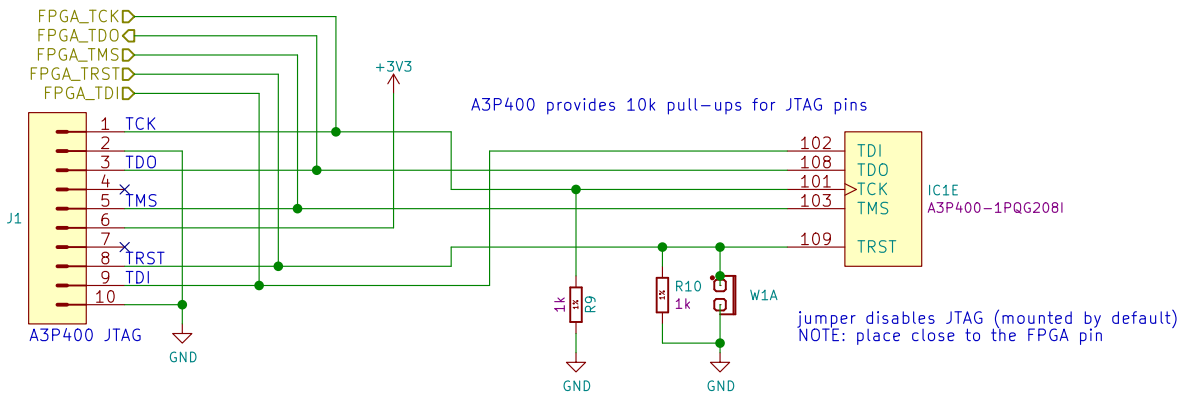
This documentation describes Open Hardware and is licensed under the CERN OHL v.1.2. You may redistribute and modify this under the terms of the CERN OHL v.1.2. (http://ohwr.org/CERNOHL). This documentation is distributed ANY EXPRESS OR IMPLIED WARRANTY, INCLUDING OF MERCHANTABILITY, SATISFACTORY AND FITNESS FOR A PARTICULAR PURPOSE. Please see the CERN OHL v.1.2 for applicable conditions.

PIN SWAPPING NOT POSSIBLE

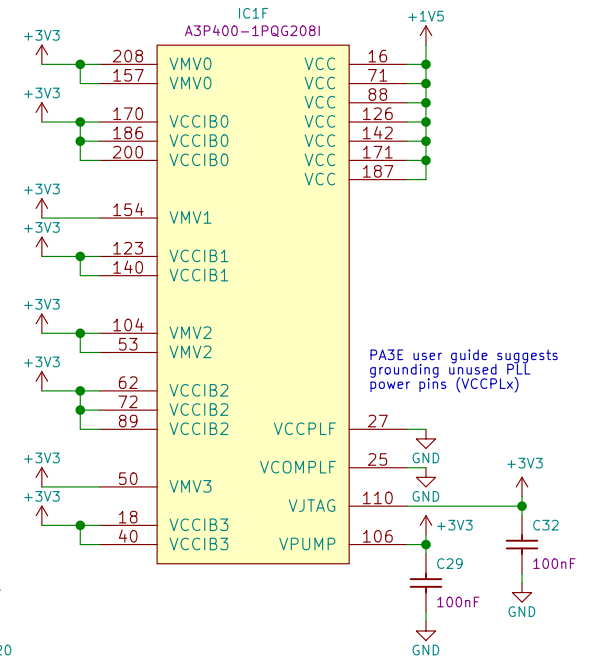
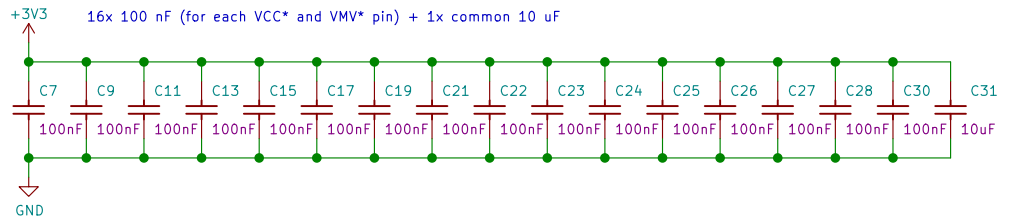
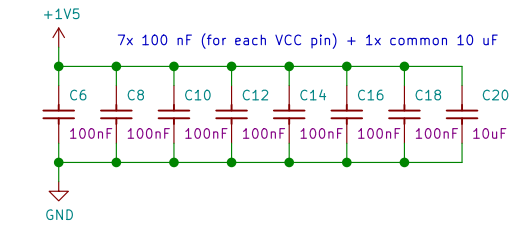
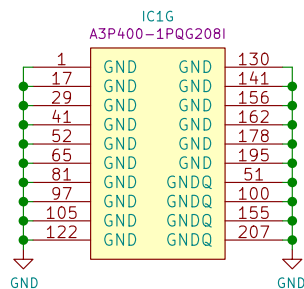
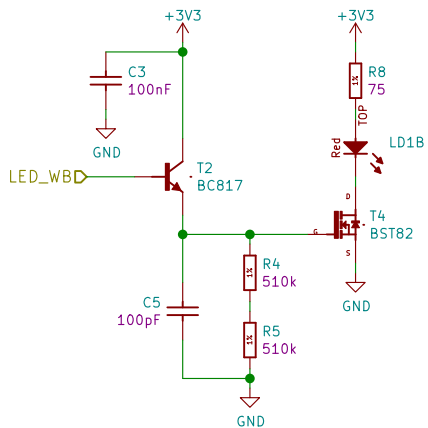


Designer M.Suminski	
Drawn by M.Suminski (15/06/2017)	
Check by	
Last Mod. M.Suminski (19/06/2017)	
<b>CERN</b>	
Sheet: /nanoFIP/	
File: nanofip.sch	
<b>Title: FMC-nanoFIP FPGA</b>	
Size: A4	Date: 2017-06-19
KiCad E.D.A. kicad (2017-06-19 revision 6733101c6)-master	Rev: 5
	Id: 2/7

Copyright CERN 2017.  
 This documentation describes Open Hardware and is licensed under the CERN OHL v.1.2.  
 You may redistribute and modify this under the terms of the CERN OHL v.1.2. (<http://ohwr.org/CERNOHL>).  
 This documentation is distributed ANY EXPRESS OR IMPLIED WARRANTY,  
 INCLUDING OF MERCHANTABILITY, SATISFACTORY AND FITNESS FOR A PARTICULAR PURPOSE.  
 Please see the CERN OHL v.1.2 for applicable conditions.



one-shot triggers to extend LED pulse duration



Designer M.Suminski  
 Drawn by M.Suminski (15/06/2017)  
 Check.by  
 Last Mod. M.Suminski (19/06/2017)  
**CERN**

Sheet: /Power, JTAG, LEDs/  
 File: nanofip\_misc.sch

**Title: FMC-nanoFIP JTAG, power, LEDs**

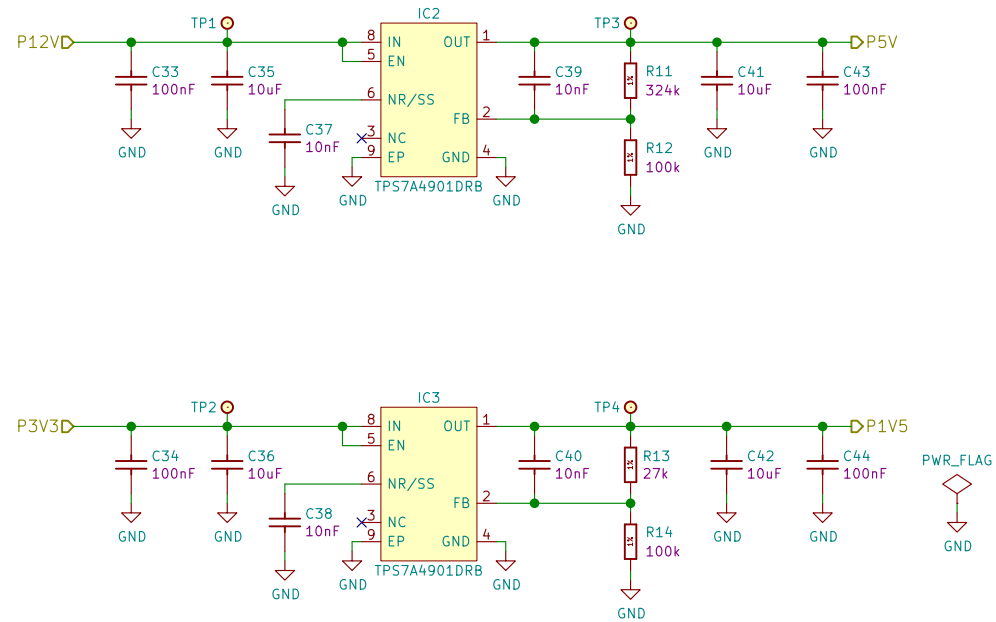
Size: A4 Date: 2017-06-19

KiCad E.D.A. kicad (2017-06-19 revision 6733101c6)-master

Rev: 5

Id: 3/7

Copyright CERN 2017.  
 This documentation describes Open Hardware and is licensed under the CERN OHL v.1.2.  
 You may redistribute and modify this under the terms of the CERN OHL v.1.2. (<http://ohwr.org/CERNOHL>).  
 This documentation is distributed ANY EXPRESS OR IMPLIED WARRANTY,  
 INCLUDING OF MERCHANTABILITY, SATISFACTORY AND FITNESS FOR A PARTICULAR PURPOSE.  
 Please see the CERN OHL v.1.2 for applicable conditions.



Designer M.Suminski  
 Drawn by M.Suminski (15/06/2017)  
 Check.by  
 Last Mod. M.Suminski (19/06/2017)

**CERN**

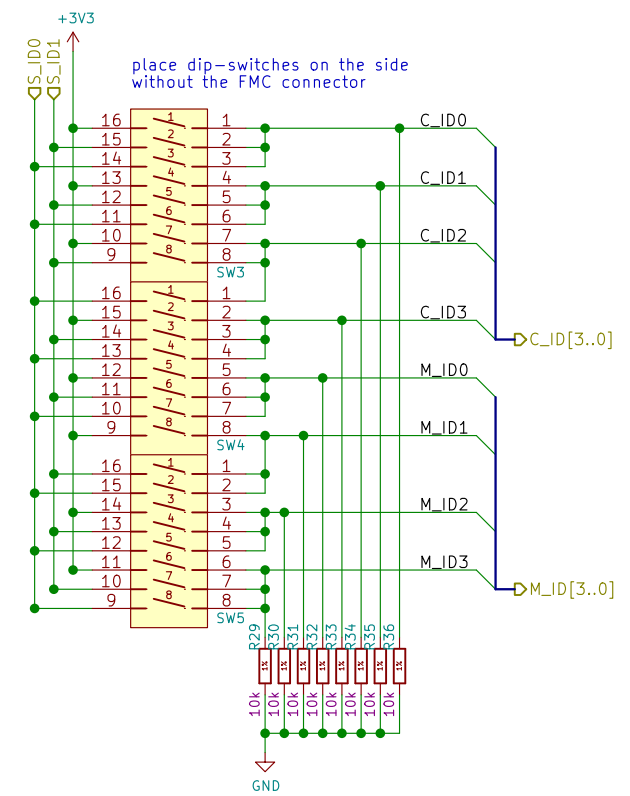
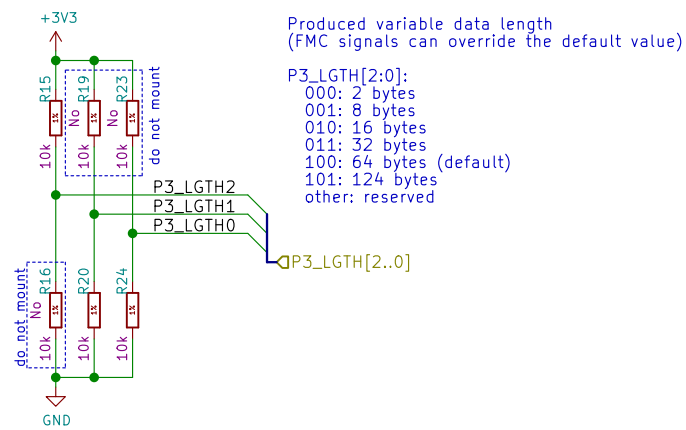
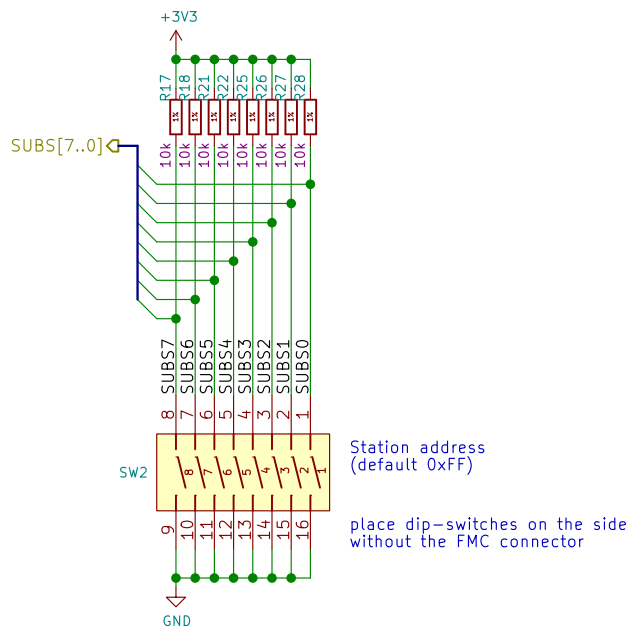
Sheet: /Power supply/  
 File: power.sch

**Title: FMC-nanoFIP power supply**

Size: A4 Date: 2017-06-19  
 KiCad E.D.A. kicad (2017-06-19 revision 6733101c6)-master

**Rev: 5**  
 Id: 4/7

Copyright CERN 2017.  
 This documentation describes Open Hardware and is licensed under the CERN OHL v.1.2.  
 You may redistribute and modify this under the terms of the CERN OHL v.1.2. (<http://ohwr.org/CERNOHL>).  
 This documentation is distributed ANY EXPRESS OR IMPLIED WARRANTY,  
 INCLUDING OF MERCHANTABILITY, SATISFACTORY AND FITNESS FOR A PARTICULAR PURPOSE.  
 Please see the CERN OHL v.1.2 for applicable conditions.

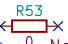
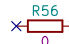
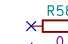
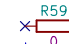


Designer M.Suminski	
Drawn by M.Suminski (15/06/2017)	
Check by	
Last Mod. M.Suminski (19/06/2017)	
<b>CERN</b>	
Sheet: /nanoFIP settings/	
File: settings.sch	
<b>Title: FMC-nanoFIP settings</b>	
Size: A4	Date: 2017-06-19
KiCad E.D.A. kicad (2017-06-19 revision 6733101c6)-master	Rev: 5
	Id: 5/7

Copyright CERN 2017.

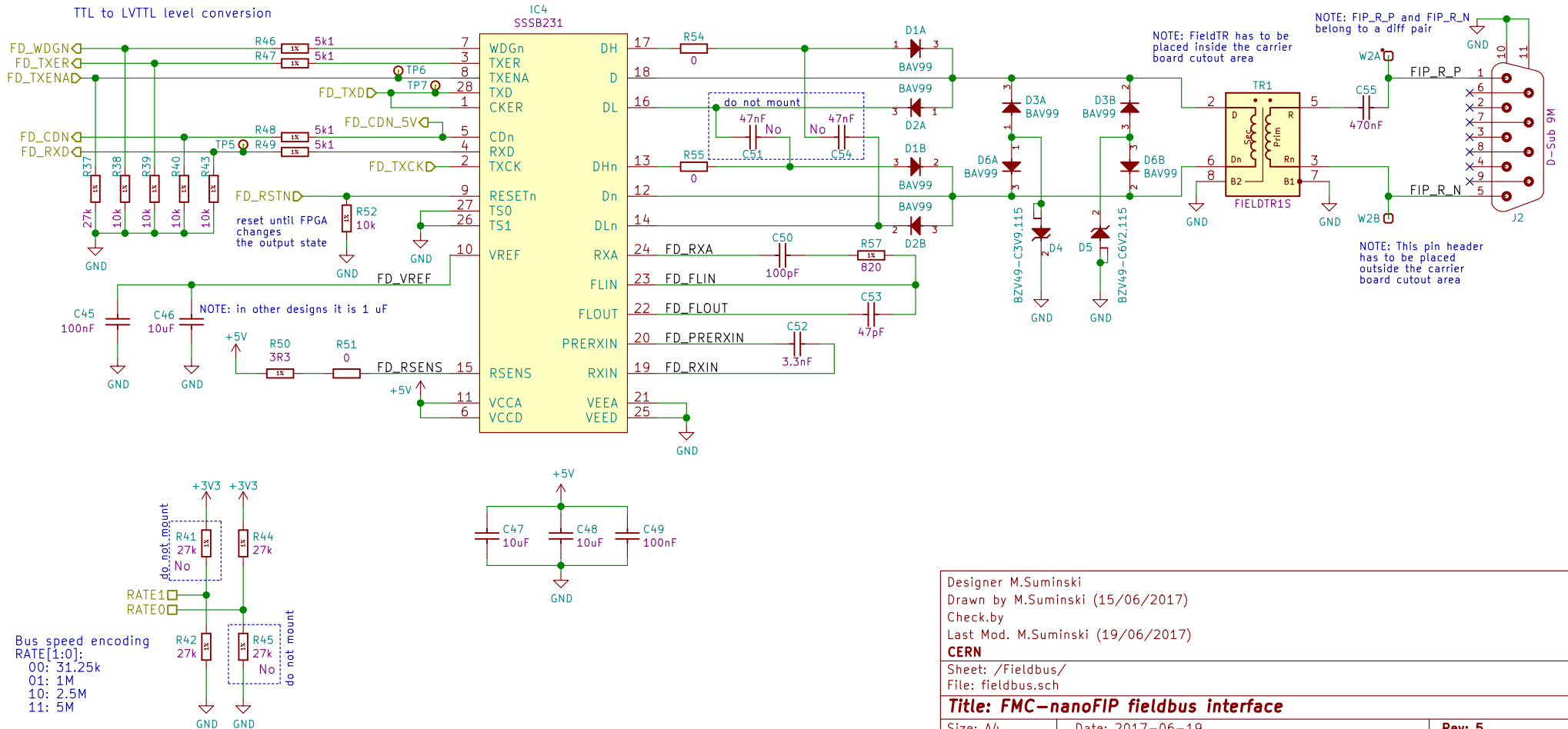
This documentation describes Open Hardware and is licensed under the CERN OHL v.1.2. You may redistribute and modify this documentation under the terms of the CERN OHL v.1.2. (<http://ohwr.org/CERNOHL>). This documentation is distributed WITHOUT ANY EXPRESS OR IMPLIED WARRANTY, INCLUDING OF MERCHANTABILITY, SATISFACTORY QUALITY AND FITNESS FOR A PARTICULAR PURPOSE. Please see the CERN OHL v.1.2 for applicable conditions.

### nanoFIP bus speed

marking	31.25k 	1M 	2.5M 	5M 
resistor	do_not_mount 0 No	do_not_mount 0 No	do_not_mount 0 No	do_not_mount 0 No
C55	3.3uF	470nF	100nF	100nF
C52	100nF	3.3nF	1.5nF	1.5nF
C53	1nF	47pF	27pF	27pF
C50	15nF	100pF	33pF	33pF
C51, C54	47nF	not mounted	not mounted	not mounted
D5	BZV49-C8V2	BZV49-C6V2	BZV49-C6V2	BZV49-C6V2
D3, D6	BAT54S	BAV99	BAV99	BAV99
D4	BZV49-C4V7	BZV49-C3V9	BZV49-C3V9	BZV49-C3V9
R51	3R3	0R	0R	0R
R57	330R	820R	820R	820R
R41	not mounted	not mounted	27k	27k
R44	not mounted	27k	not mounted	27k
R42	27k	27k	not mounted	not mounted
R45	27k	not mounted	27k	not mounted
TR1	FIELDTR_31.25S	FIELDTR_1S	FIELDTR_2.5S	FIELDTR_5S

NOTE: place a label indicating bus speed next to the marking resistors

selected variant



Designer M.Suminski  
 Drawn by M.Suminski (15/06/2017)  
 Check.by  
 Last Mod. M.Suminski (19/06/2017)  
**CERN**  
 Sheet: /Fieldbus/  
 File: fieldbus.sch

---

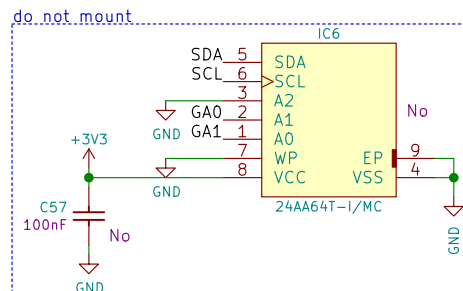
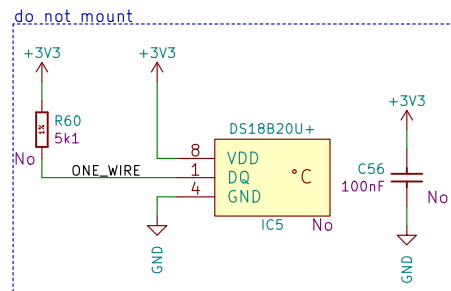
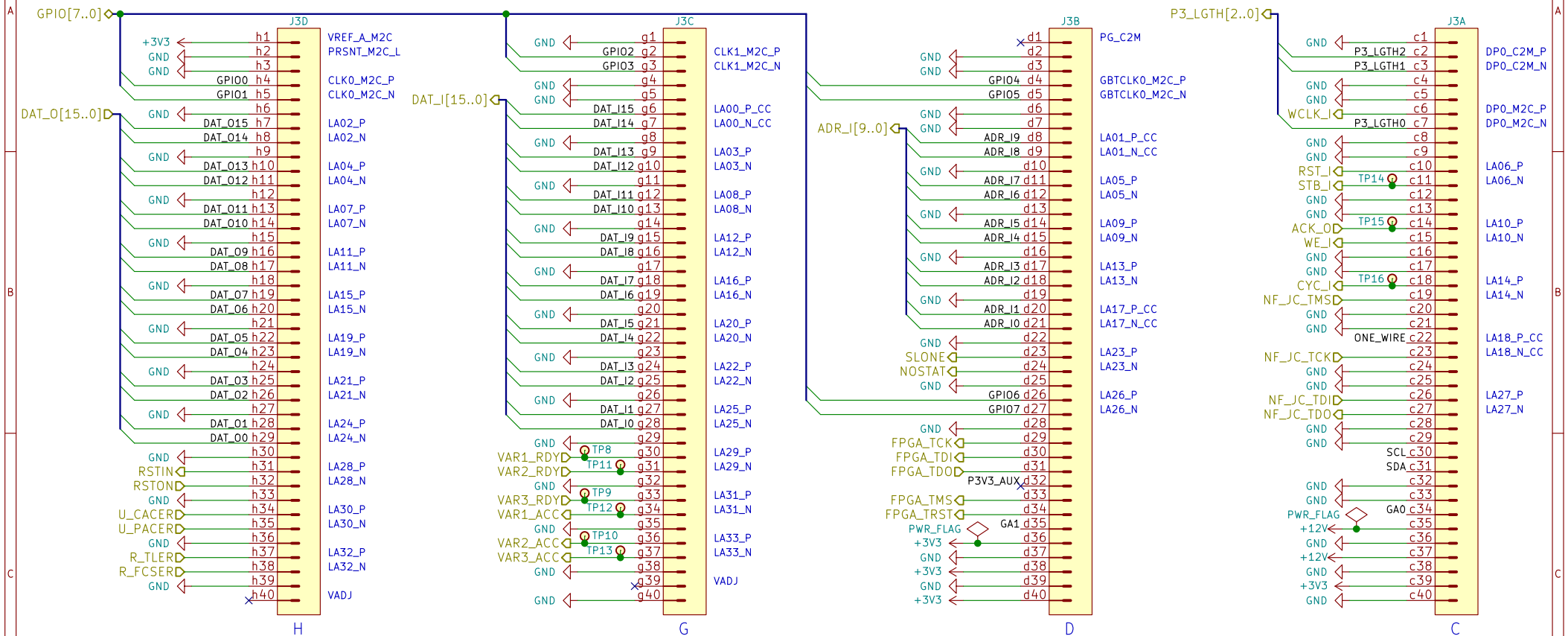
**Title: FMC-nanoFIP fieldbus interface**

---

Size: A4 Date: 2017-06-19 Rev: 5  
 KiCad E.D.A. kicad (2017-06-19 revision 6733101c6)-master Id: 6/7

Copyright CERN 2017.  
 This documentation describes Open Hardware and is licensed under the CERN OHL v.1.2.  
 You may redistribute and modify this under the terms of the CERN OHL v.1.2. (<http://ohwr.org/CERNOHL>).  
 This documentation is distributed ANY EXPRESS OR IMPLIED WARRANTY,  
 INCLUDING OF MERCHANTABILITY, SATISFACTORY AND FITNESS FOR A PARTICULAR PURPOSE.  
 Please see the CERN OHL v.1.2 for applicable conditions.

NOTE: pin swapping between LA\* pins possible  
 place test points and pin headers on the side without the FMC connector



Designer M.Suminski  
 Drawn by M.Suminski (15/06/2017)  
 Check.by  
 Last Mod. M.Suminski (19/06/2017)  
**CERN**

Sheet: /FMC/  
 File: fmc.sch

**Title: FMC-nanoFIP FMC connector (LPC)**

Size: A4 Date: 2017-06-19

KiCad E.D.A. kicad (2017-06-19 revision 6733101c6)-master

Rev: 5

Id: 7/7