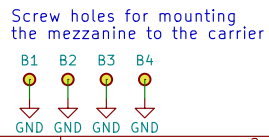
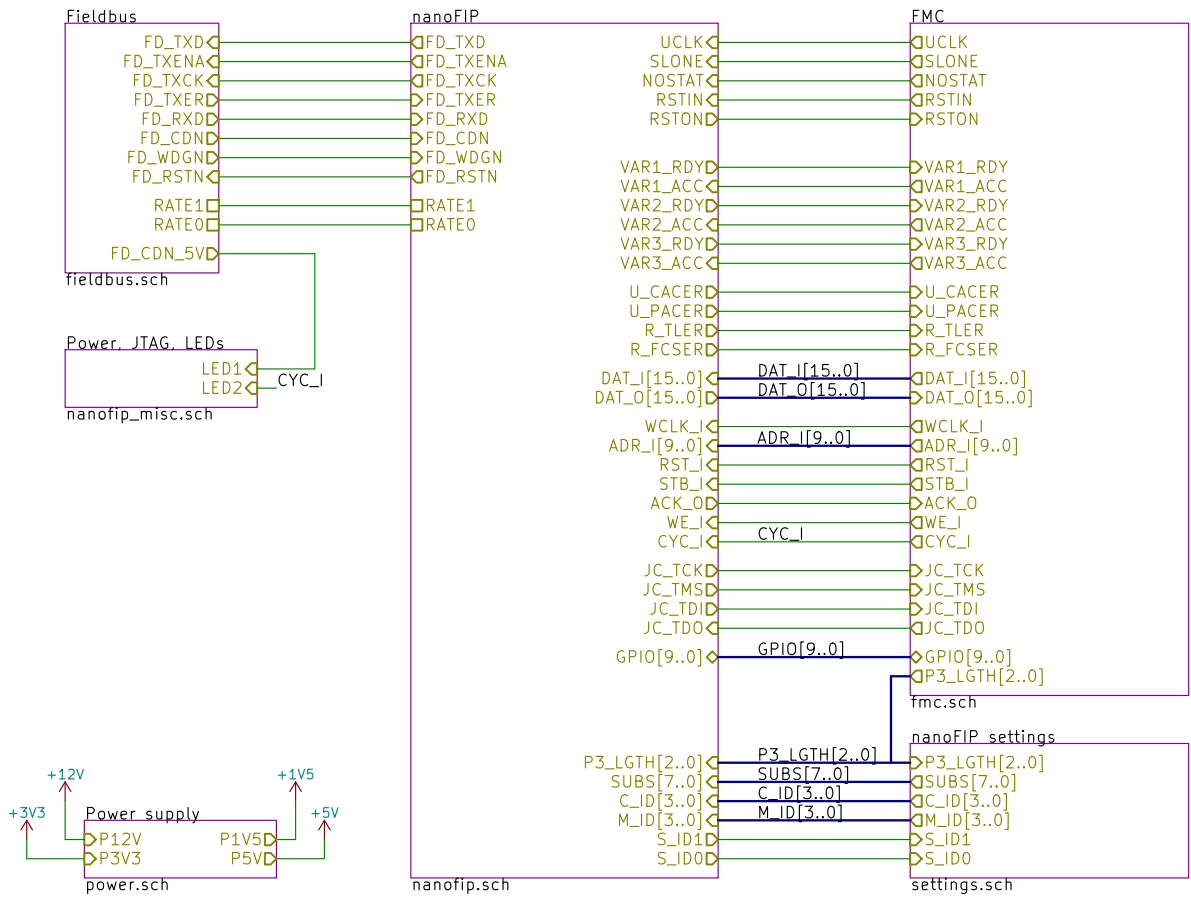


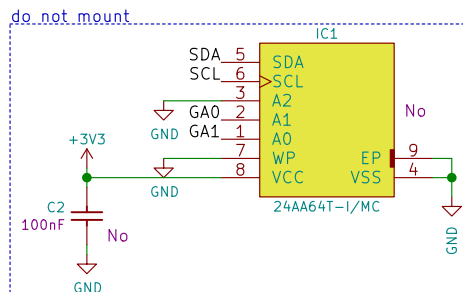
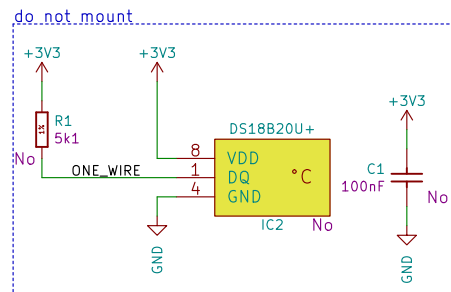
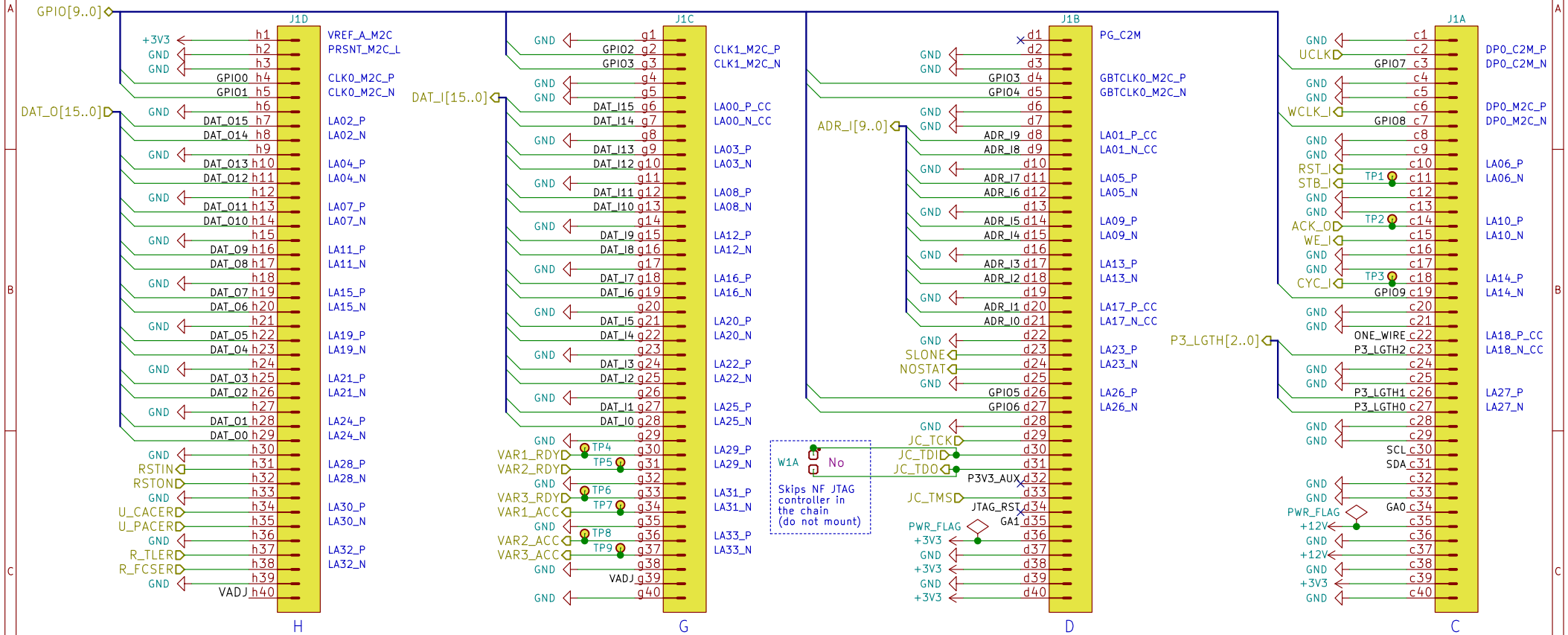
Copyright CERN 2017.
 This documentation describes Open Hardware and is licensed under the CERN OHL v.1.2.
 You may redistribute and modify this under the terms of the CERN OHL v.1.2. (<http://ohwr.org/CERNOHL>).
 This documentation is distributed ANY EXPRESS OR IMPLIED WARRANTY,
 INCLUDING OF MERCHANTABILITY, SATISFACTORY AND FITNESS FOR A PARTICULAR PURPOSE.
 Please see the CERN OHL v.1.2 for applicable conditions.



Designer M.Suminski	
Drawn by M.Suminski (15/06/2017)	
Check.by	
Last Mod. M.Suminski (16/06/2017)	
CERN	
Sheet: /	
File: fmc-nanofip.sch	
Title: FMC-nanoFIP	
Size: A4	Date: 2017-06-16
KiCad E.D.A. kicad (2017-06-12 revision 19d5cc754)-master	Rev: 3
	Id: 1/7

Copyright CERN 2017.
 This documentation describes Open Hardware and is licensed under the CERN OHL v.1.2.
 You may redistribute and modify this under the terms of the CERN OHL v.1.2. (<http://ohwr.org/CERNOHL>).
 This documentation is distributed ANY EXPRESS OR IMPLIED WARRANTY,
 INCLUDING OF MERCHANTABILITY, SATISFACTORY AND FITNESS FOR A PARTICULAR PURPOSE.
 Please see the CERN OHL v.1.2 for applicable conditions.

place test points and pin headers on the side without the FMC connector



Designer M.Suminski
 Drawn by M.Suminski (15/06/2017)
 Check.by
 Last Mod. M.Suminski (16/06/2017)
CERN

Sheet: /FMC/
 File: fmc.sch

Title: FMC-nanoFIP FMC connector (LPC)

Size: A4 Date: 2017-06-16

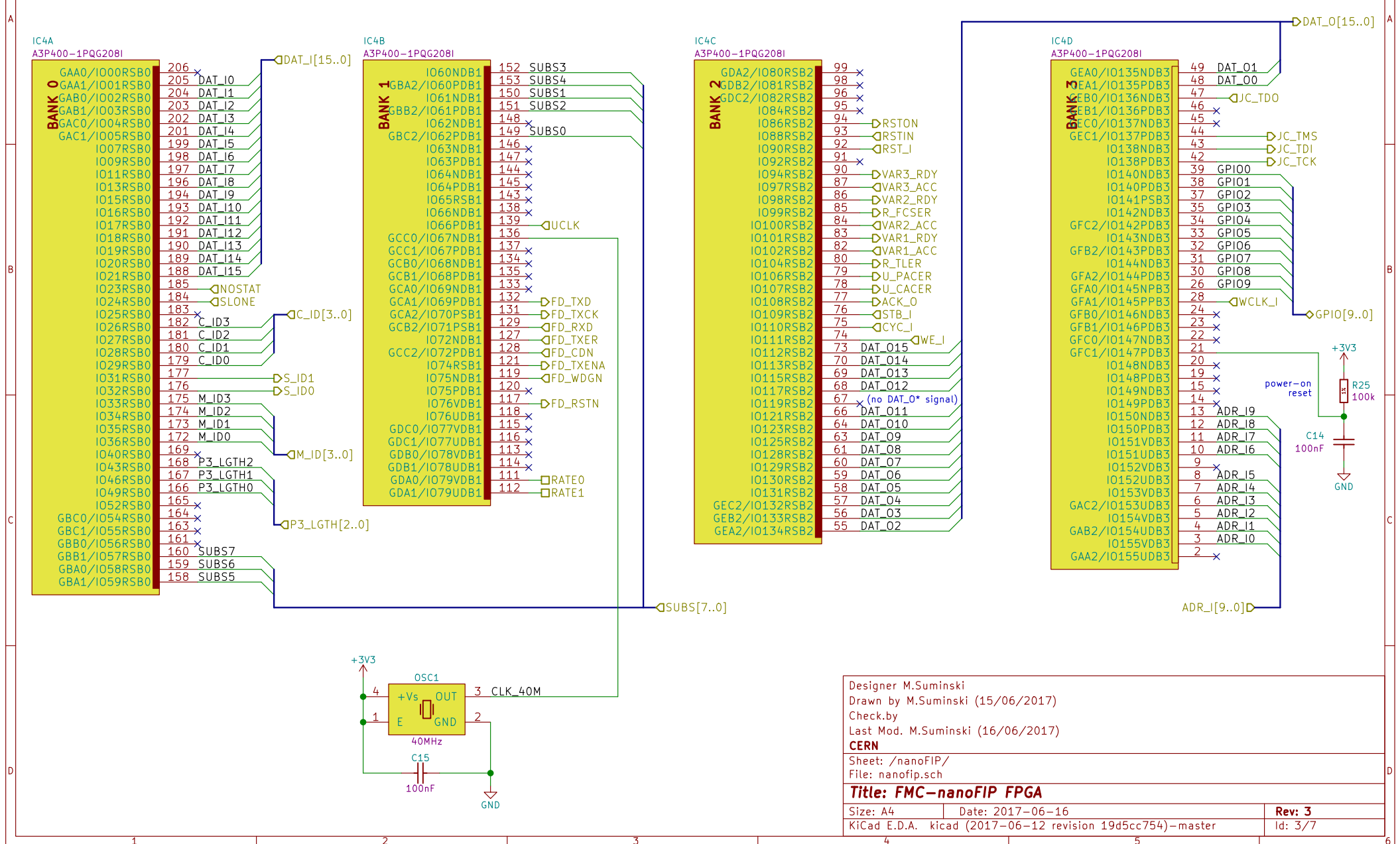
KiCad E.D.A. kicad (2017-06-12 revision 19d5cc754)-master

Rev: 3

Id: 2/7

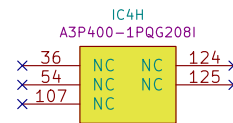
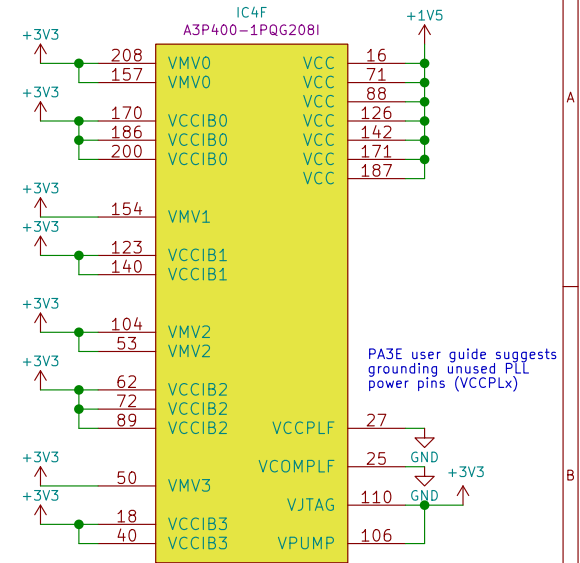
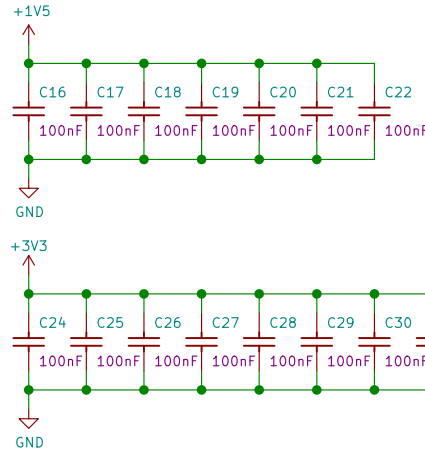
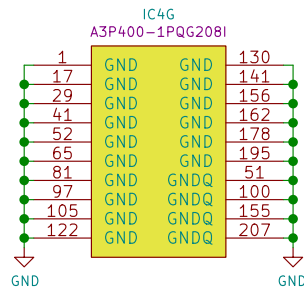
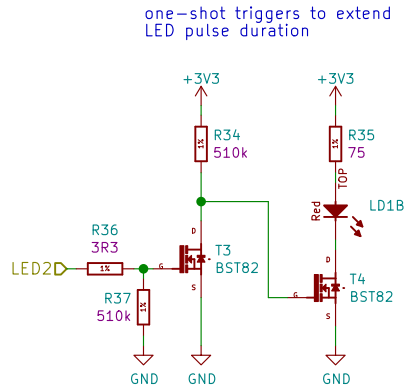
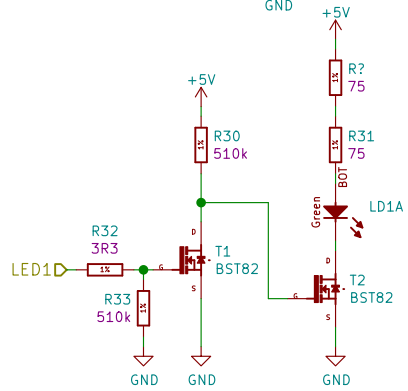
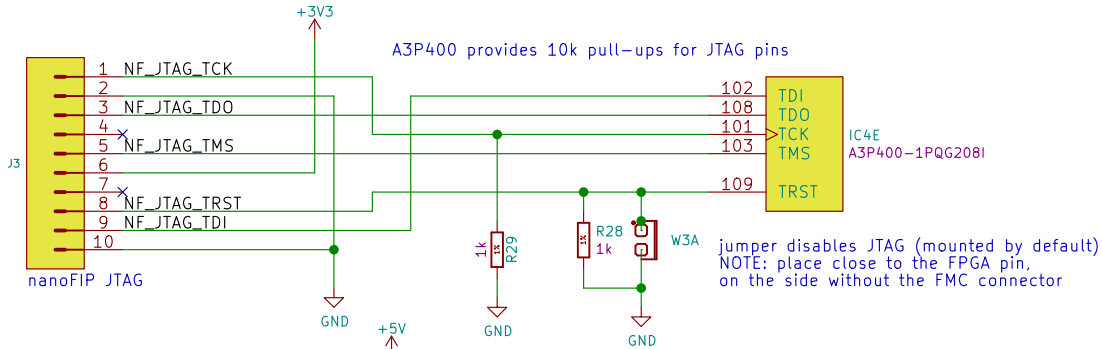
Copyright CERN 2017.
 This documentation describes Open Hardware and is licensed under the CERN OHL v.1.2.
 You may redistribute and modify this under the terms of the CERN OHL v.1.2. (<http://ohwr.org/CERNOHL>).
 This documentation is distributed ANY EXPRESS OR IMPLIED WARRANTY,
 INCLUDING OF MERCHANTABILITY, SATISFACTORY AND FITNESS FOR A PARTICULAR PURPOSE.
 Please see the CERN OHL v.1.2 for applicable conditions.

PIN SWAPPING NOT POSSIBLE



Designer M.Suminski	
Drawn by M.Suminski (15/06/2017)	
Check by	
Last Mod. M.Suminski (16/06/2017)	
CERN	
Sheet: /nanoFIP/	
File: nanofip.sch	
Title: FMC-nanoFIP FPGA	
Size: A4	Date: 2017-06-16
KiCad E.D.A. kicad (2017-06-12 revision 19d5cc754)-master	Rev: 3
	Id: 3/7

Copyright CERN 2017.
 This documentation describes Open Hardware and is licensed under the CERN OHL v.1.2.
 You may redistribute and modify this under the terms of the CERN OHL v.1.2. (<http://ohwr.org/CERNOHL>).
 This documentation is distributed ANY EXPRESS OR IMPLIED WARRANTY,
 INCLUDING OF MERCHANTABILITY, SATISFACTORY AND FITNESS FOR A PARTICULAR PURPOSE.
 Please see the CERN OHL v.1.2 for applicable conditions.



Designer M.Suminski
 Drawn by M.Suminski (15/06/2017)
 Check.by
 Last Mod. M.Suminski (16/06/2017)
CERN

Sheet: /Power, JTAG, LEDs/
 File: nanofip_misc.sch

Title: FMC-nanoFIP JTAG, power, LEDs

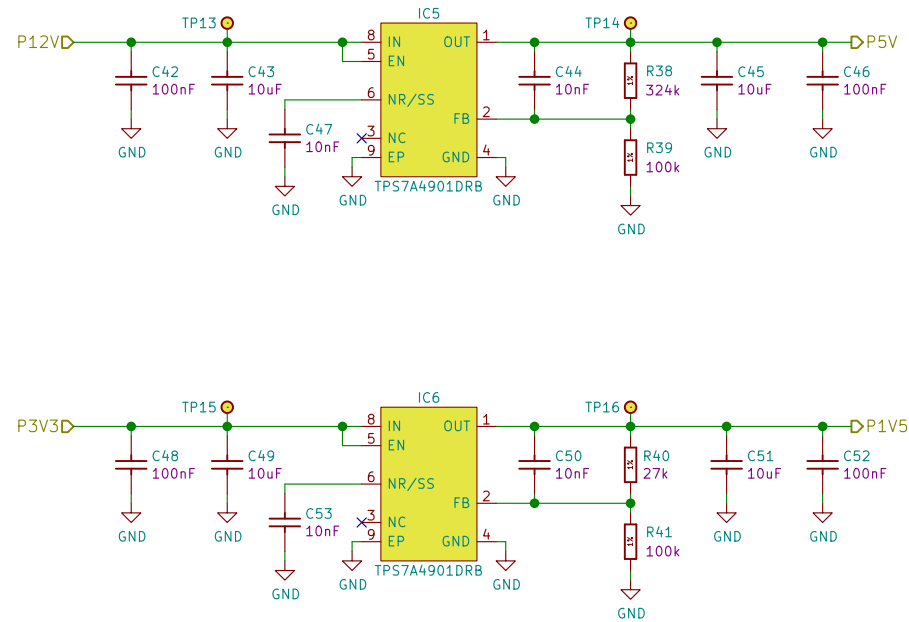
Size: A4 Date: 2017-06-16

KiCad E.D.A. kicad (2017-06-12 revision 19d5cc754)-master

Rev: 3

Id: 4/7

Copyright CERN 2017.
 This documentation describes Open Hardware and is licensed under the CERN OHL v.1.2.
 You may redistribute and modify this under the terms of the CERN OHL v.1.2. (<http://ohwr.org/CERNOHL>).
 This documentation is distributed ANY EXPRESS OR IMPLIED WARRANTY,
 INCLUDING OF MERCHANTABILITY, SATISFACTORY AND FITNESS FOR A PARTICULAR PURPOSE.
 Please see the CERN OHL v.1.2 for applicable conditions.



Designer M.Suminski
 Drawn by M.Suminski (15/06/2017)
 Check.by
 Last Mod. M.Suminski (16/06/2017)

CERN

Sheet: /Power supply/
 File: power.sch

Title: FMC-nanoFIP power supply

Size: A4 Date: 2017-06-16

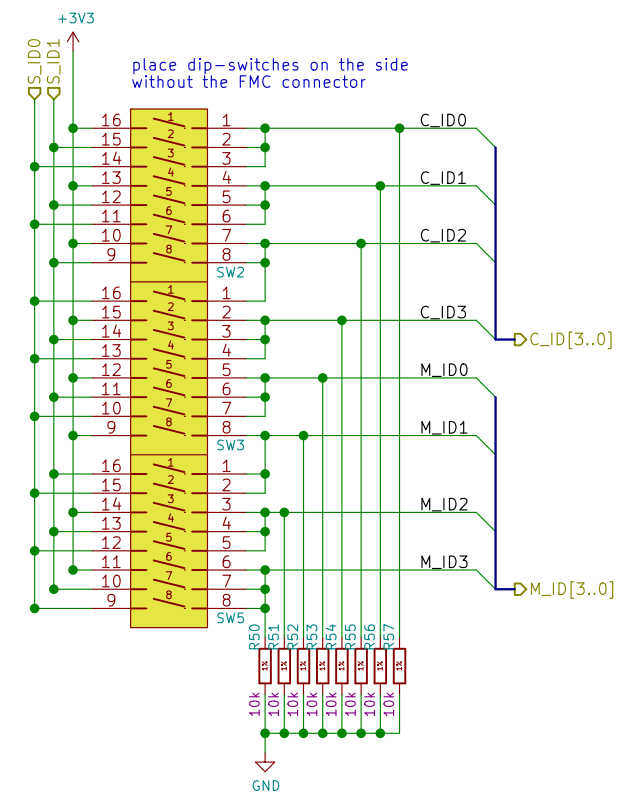
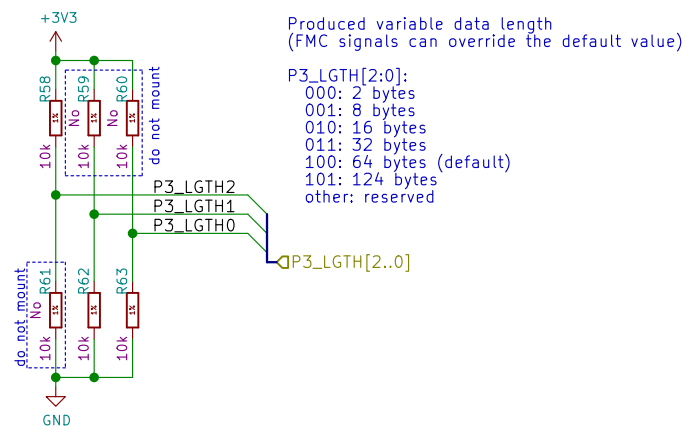
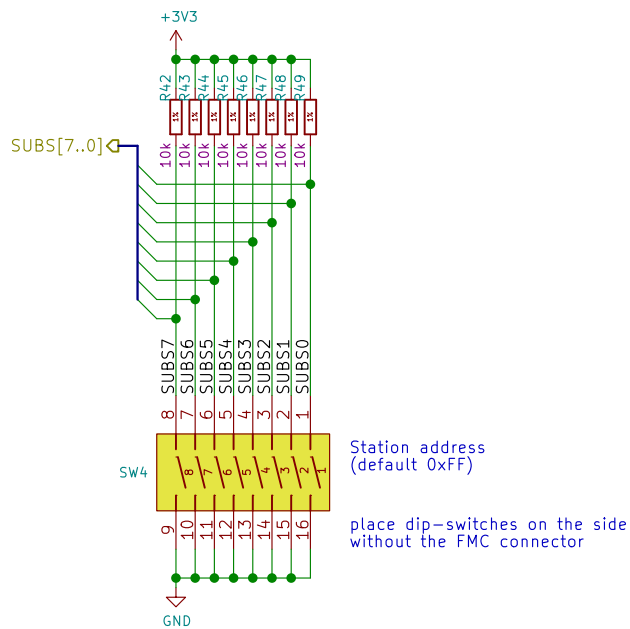
Rev: 3

KiCad E.D.A. kicad (2017-06-12 revision 19d5cc754)-master

Id: 5/7

Copyright CERN 2017.

This documentation describes Open Hardware and is licensed under the CERN OHL v.1.2.
 You may redistribute and modify this under the terms of the CERN OHL v.1.2. (<http://ohwr.org/CERNOHL>).
 This documentation is distributed ANY EXPRESS OR IMPLIED WARRANTY,
 INCLUDING OF MERCHANTABILITY, SATISFACTORY AND FITNESS FOR A PARTICULAR PURPOSE.
 Please see the CERN OHL v.1.2 for applicable conditions.



Designer M.Suminski	
Drawn by M.Suminski (15/06/2017)	
Check by	
Last Mod. M.Suminski (16/06/2017)	
CERN	
Sheet: /nanoFIP settings/	
File: settings.sch	
Title: FMC-nanoFIP settings	
Size: A4	Date: 2017-06-16
KiCad E.D.A. kicad (2017-06-12 revision 19d5cc754)-master	Rev: 3
	Id: 6/7

nanoFIP bus speed

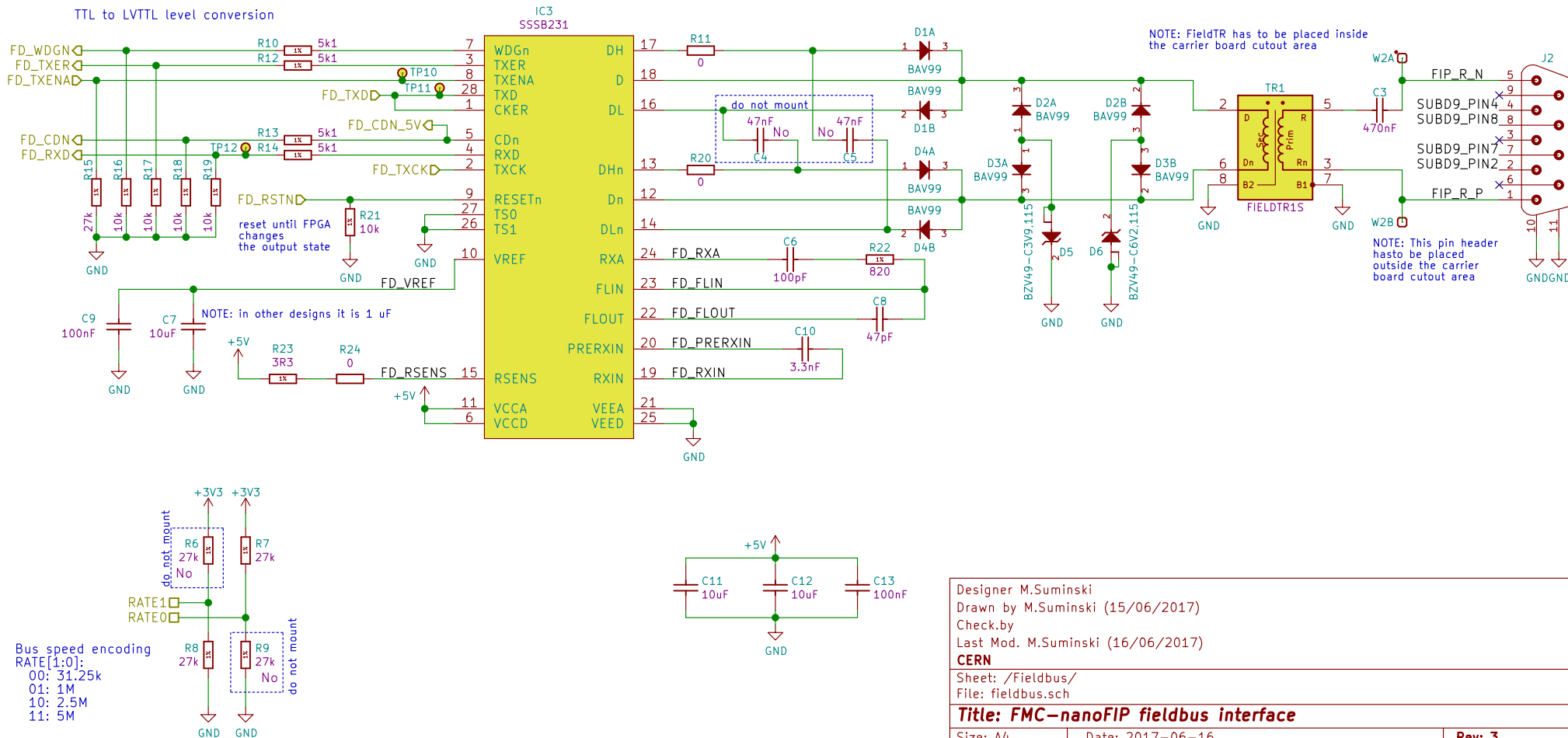
Copyright CERN 2017.

This documentation describes Open Hardware and is licensed under the CERN OHL v.1.2. You may redistribute and modify this documentation under the terms of the CERN OHL v.1.2. (<http://ohwr.org/CERNOHL>). This documentation is distributed WITHOUT ANY EXPRESS OR IMPLIED WARRANTY, INCLUDING OF MERCHANTABILITY, SATISFACTORY QUALITY AND FITNESS FOR A PARTICULAR PURPOSE. Please see the CERN OHL v.1.2 for applicable conditions.

marking	31.25k	1M	2.5M	5M
resistor	<input checked="" type="checkbox"/> R2	<input checked="" type="checkbox"/> R3	<input checked="" type="checkbox"/> R4	<input checked="" type="checkbox"/> R5
	do_not_mount	0	do_not_mount	0
	No	No	No	No
C3	3.3uF	470nF	100nF	100nF
C10	100nF	3.3nF	1.5nF	1.5nF
C8	1nF	47pF	27pF	27pF
C6	15nF	100pF	33pF	33pF
C4, C5	47nF	not mounted	not mounted	not mounted
D6	BZV49-C8V2	BZV49-C6V2	BZV49-C6V2	BZV49-C6V2
D2, D3	BAT54S	BAV99	BAV99	BAV99
D5	BZV49-C4V7	BZV49-C3V9	BZV49-C3V9	BZV49-C3V9
R24	3R3	0R	0R	0R
R22	330R	820R	820R	820R
R6	not mounted	not mounted	27k	27k
R7	not mounted	27k	not mounted	27k
R8	27k	not mounted	not mounted	not mounted
R9	27k	not mounted	27k	not mounted
TR1	FIELDTR_31.25S	FIELDTR_1S	FIELDTR_2.5S	FIELDTR_5S

NOTE: place a label indicating bus speed next to the marking resistors

selected variant



Designer M.Suminski
 Drawn by M.Suminski (15/06/2017)
 Check.by
 Last Mod. M.Suminski (16/06/2017)
CERN

Sheet: /Fieldbus/
 File: fieldbus.sch
Title: FMC-nanoFIP fieldbus interface

Size: A4 Date: 2017-06-16 Rev: 3
 KiCad E.D.A. kicad (2017-06-12 revision 19d5cc754)-master Id: 7/7