

SCAB v1.00

Supply and COM Adapter Board

HLP Technologies

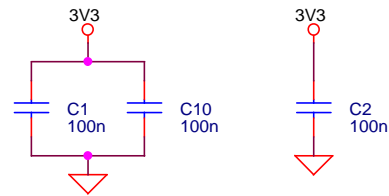
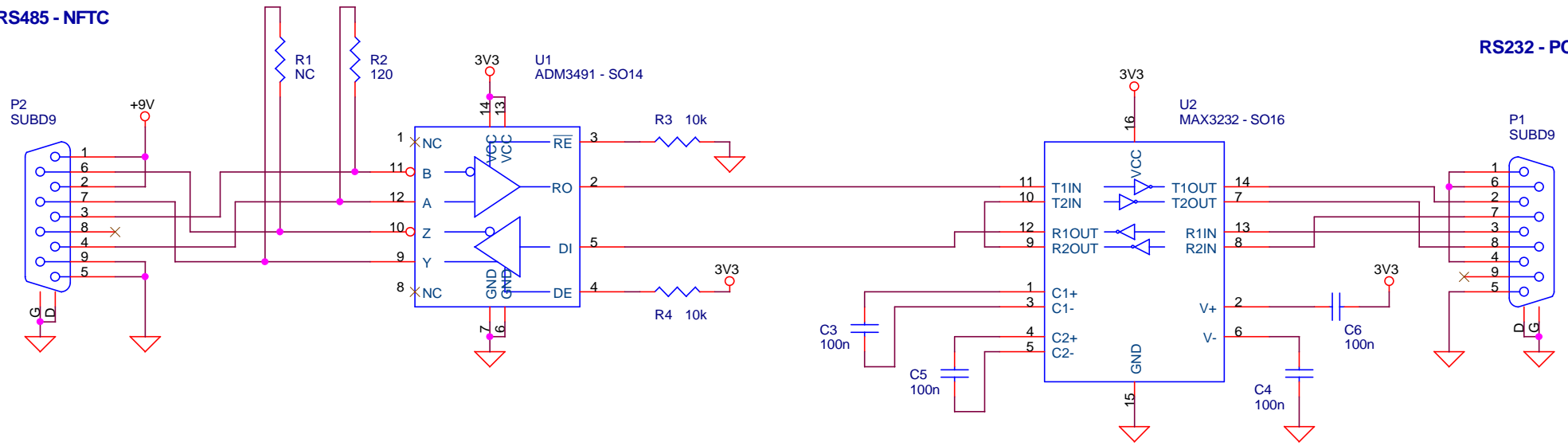
35 rue Tournefort
75005 Paris

www.hlp.fr

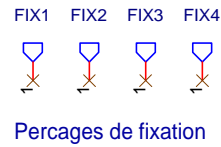
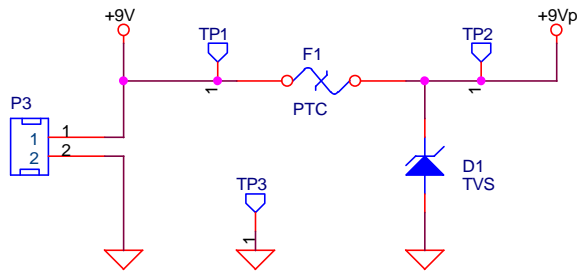
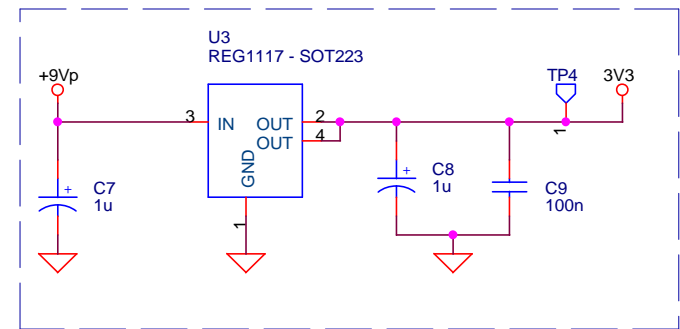
Title		
Cover		
Size	Document Number	Rev
A4	1016-11-1.00-SCH-A-002	002
Date:	Thursday, April 01, 2010	Sheet 1 of 1

RS485 - NFTC

RS232 - PC



Alimentation +3V3



Title		
RS-485 to RS-232 adapter		
Size	Document Number	Rev
A4	1016-11-1.00-SCH-A-002	002
Date:	Thursday, April 01, 2010	Sheet 2 of 2