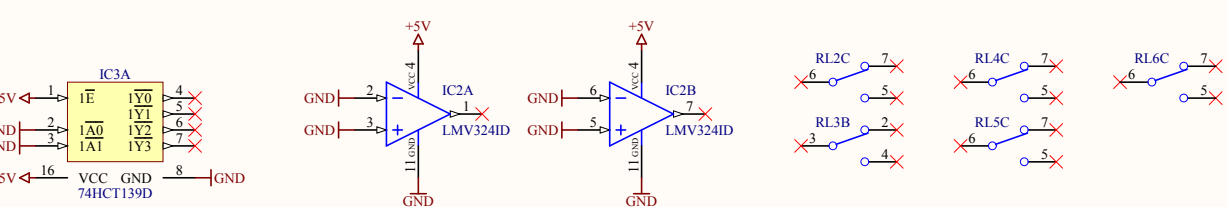
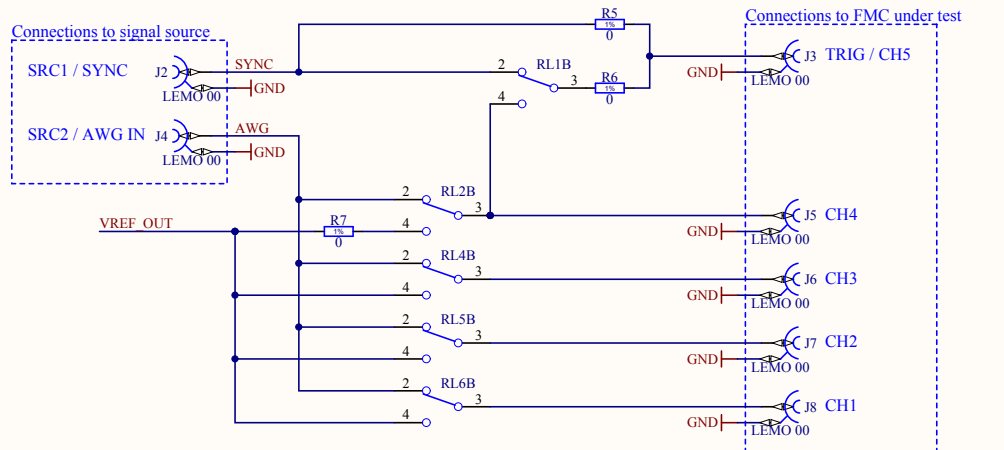


This design can be used to calibrate fmc-adc, fmc-tdc and fmc-fd (fine delay) boards. The assembly is different for each case.

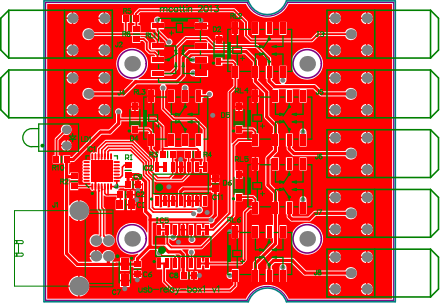
fmc-adc version:
R6 -> Not mounted

fmc-fd and fmc-tdc version:
R5, R7 -> Not mounted
R9, R11, R13 -> Optional
C3, C4, C5, C10, C12 -> Optional
IC4, IC6 -> Optional
RL3 -> Optional
D4 -> Optional



Project/Equipment	usb-relay-box1		
Document	USB controlled relay box		
Designer	mcattin		
Drawn by	mcattin		08/16/2011
Check by	*		-
Last Mod.	mcattin		6/13/2013
File	usb-relay-box1_SchDoe		
Print Date	6/13/2013	11:42:53 AM	Sheet 1 of 1
			Size A3
			Rev v3

moottin 2013



usb-relay-box1 v1

