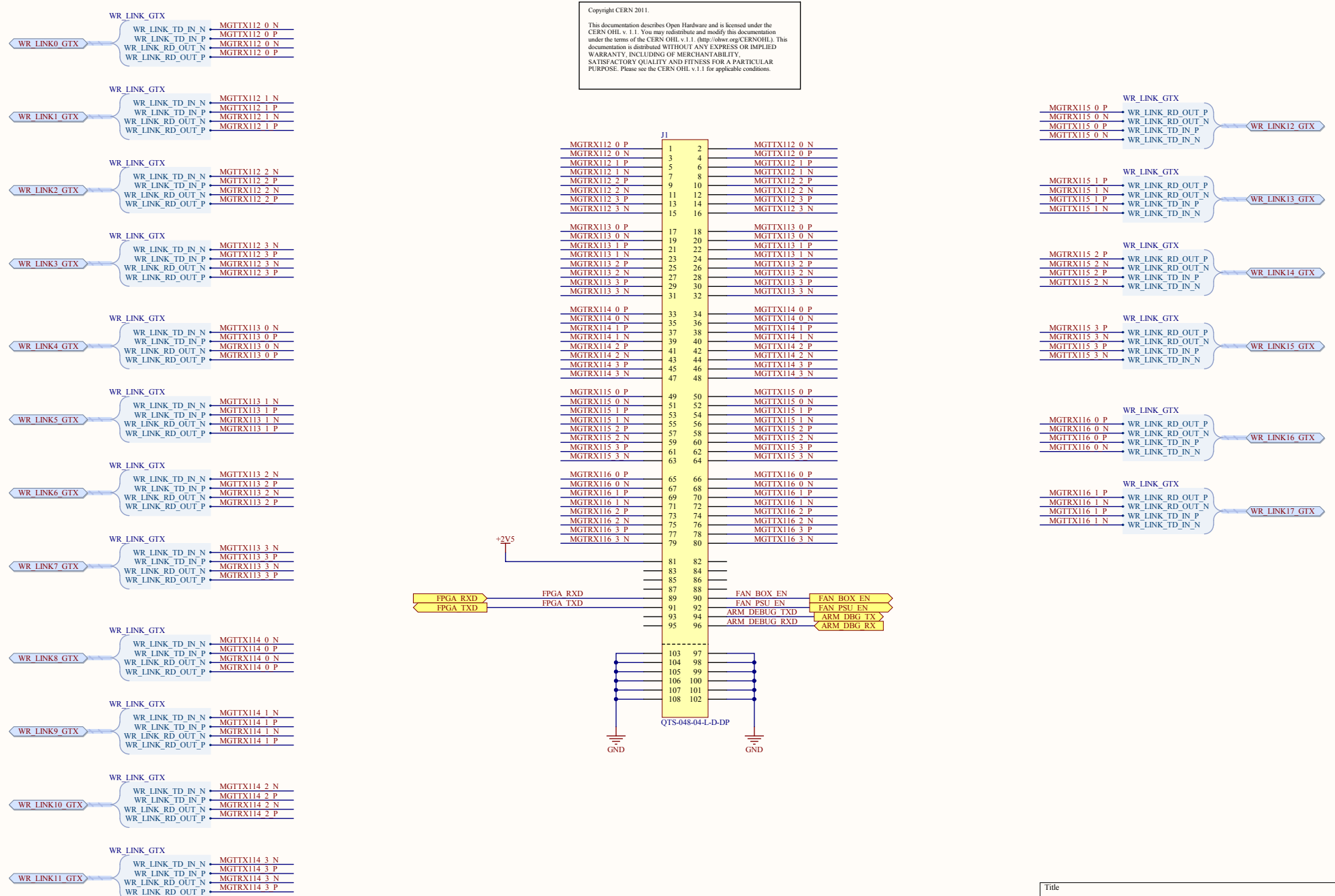
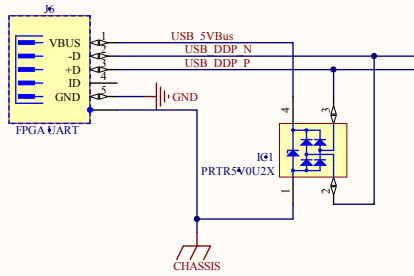


Copyright CERN 2011.
 This documentation describes Open Hardware and is licensed under the CERN OHL v. 1.1. You may redistribute and modify this documentation under the terms of the CERN OHL v. 1.1. (<http://ohw.org/CERN/OHL>). This documentation is distributed WITHOUT ANY EXPRESS OR IMPLIED WARRANTY, INCLUDING OF MERCHANTABILITY, SATISFACTORY QUALITY AND FITNESS FOR A PARTICULAR PURPOSE. Please see the CERN OHL v.1.1 for applicable conditions.



Title		
Size	Number	Revision
A3		
Date:	05/11/2012	Sheet of
File:	D:\White Rabbit\...Connector GTX.SchDoc	Drawn By:



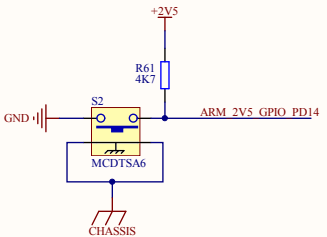
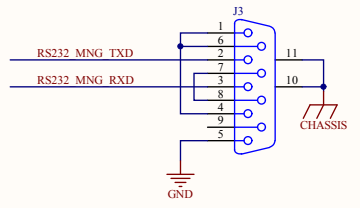
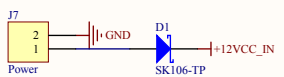
Level: 3.3 V LVCMOS
 ARM 3V3 GPIO PB[0..7] ARM 3V3 GPIO PB[0..7]

Level: 2.5 V LVCMOS
 ARM 2V5 GPIO PD[10..13] ARM 2V5 GPIO PD[10..13]

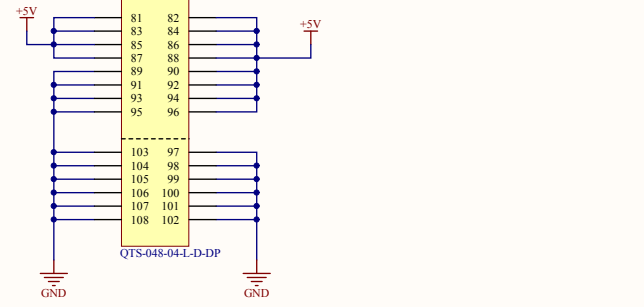
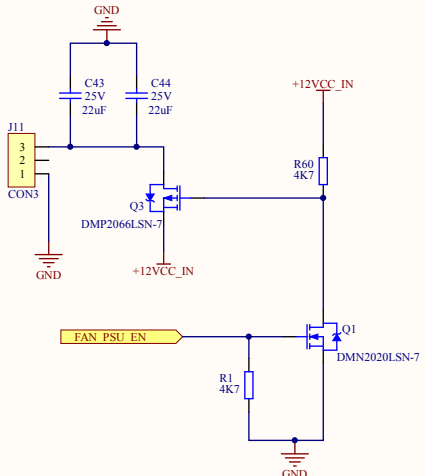
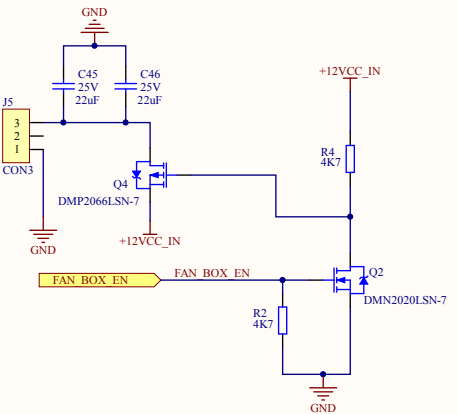
Level: 2.5 V LVCMOS
 ARM 2V5 GPIO PE[0..15] ARM 2V5 GPIO PE[0..15]

Green Labels: Net name on SCB schematics
 Red Labels: miniBackplane net name

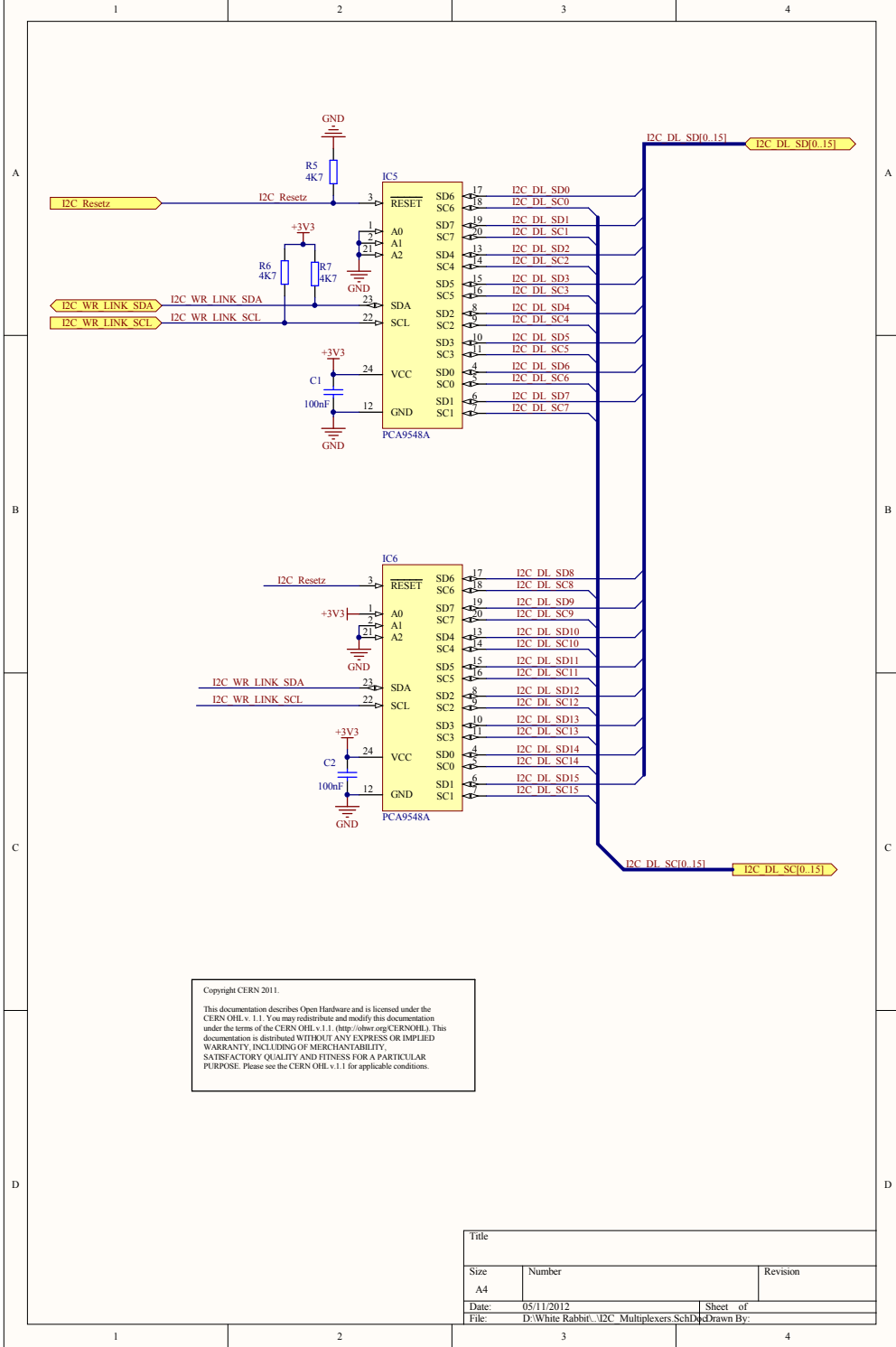
Copyright CERN 2011.
 This documentation describes Open Hardware and is licensed under the CERN OHL v. 1.1. You may redistribute and modify this documentation under the terms of the CERN OHL v. 1.1. (<http://ohw.org/CERN/OHL>). This documentation is distributed WITHOUT ANY EXPRESS OR IMPLIED WARRANTY, INCLUDING OF MERCHANTABILITY, SATISFACTORY QUALITY AND FITNESS FOR A PARTICULAR PURPOSE. Please see the CERN OHL v.1.1 for applicable conditions.



J2		FPGA_GPIO[0..35]	
RS232 MNG TXD	1	FPGA-GPIO0	FPGA_GPIO35
RS232 MNG RXD	3	FPGA-GPIO1	FPGA_GPIO34
	4	FPGA-GPIO2	FPGA_GPIO32
USB 5VBus	5	FPGA-GPIO3	FPGA_GPIO29
USB DDP N	7	FPGA-GPIO4	FPGA_GPIO25
USB DDP P	9	FPGA-GPIO5	FPGA_GPIO21
USB HDP N	11	FPGA-GPIO6	FPGA_GPIO17
USB HDP P	13	FPGA-GPIO7	FPGA_GPIO13
	15		
ARM 2V5 GPIO PE14	TF1	FPGA-GPIO8	FPGA_GPIO9
ARM 2V5 GPIO PD11	TK1	FPGA-GPIO9	FPGA_GPIO5
ARM 2V5 GPIO PE12	TD1	FPGA-GPIO10	FPGA_GPIO1
ARM 2V5 GPIO PE10	RD1	FPGA-GPIO11	FPGA_GPIO33
ARM 2V5 GPIO PE8	RK1	FPGA-GPIO12	FPGA_GPIO28
ARM 2V5 GPIO PD13	RF1	FPGA-GPIO13	FPGA_GPIO30
FBOOT_SEL		FPGA-GPIO14	FPGA_GPIO31
EXT_NRST		FPGA-GPIO15	FPGA_GPIO24
ARM 2V5 GPIO PE6	PE10	FPGA-GPIO16	FPGA_GPIO26
ARM 2V5 GPIO PE4	PE12	FPGA-GPIO17	FPGA_GPIO27
ARM 2V5 GPIO PE2	PE14	FPGA-GPIO18	FPGA_GPIO20
ARM 2V5 GPIO PE0	PE13	FPGA-GPIO19	FPGA_GPIO22
ARM 2V5 GPIO PD10	PE8	FPGA-GPIO20	FPGA_GPIO23
ARM 2V5 GPIO PE15	PE4	FPGA-GPIO21	FPGA_GPIO16
ARM 2V5 GPIO PE13	PE3	FPGA-GPIO22	FPGA_GPIO18
ARM 2V5 GPIO PE11	PE11	FPGA-GPIO23	FPGA_GPIO19
ARM 3V3 GPIO PB3	PB6	FPGA-GPIO24	FPGA_GPIO12
ARM 3V3 GPIO PB2	PB3	FPGA-GPIO25	FPGA_GPIO14
ARM 3V3 GPIO PB5	PB1	FPGA-GPIO26	FPGA_GPIO15
ARM 3V3 GPIO PB4	PB2	FPGA-GPIO27	FPGA_GPIO8
ARM 3V3 GPIO PB7	PB0	FPGA-GPIO28	FPGA_GPIO10
ARM 3V3 GPIO PB6	PB4	FPGA-GPIO29	FPGA_GPIO11
ARM 3V3 GPIO PB1	PB5	FPGA-GPIO30	FPGA_GPIO4
ARM 3V3 GPIO PB0	PB7	FPGA-GPIO31	FPGA_GPIO6
ARM 2V5 GPIO PE9	PE15	FPGA-GPIO32	FPGA_GPIO7
ARM 2V5 GPIO PE7	PE5	FPGA-GPIO33	FPGA_GPIO0
ARM 2V5 GPIO PE5	PE0	FPGA-GPIO34	FPGA_GPIO2
ARM 2V5 GPIO PE3	PE6	FPGA-GPIO35	FPGA_GPIO3
ARM 2V5 GPIO PE1	PE2	FPGA-GPIO36	
ARM 2V5 GPIO PD12	PE1	FPGA-GPIO37	I2C IOS_SDA0
ARM 2V5 GPIO PD15	PE7	FPGA-GPIO38	I2C IOS_SCL0
ARM 2V5 GPIO PD14	PE9	FPGA-GPIO39	I2C IOS_SDA1
			I2C IOS_SCL1

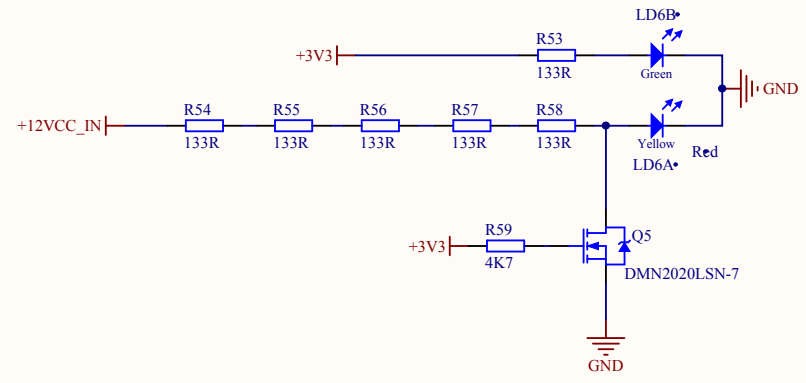
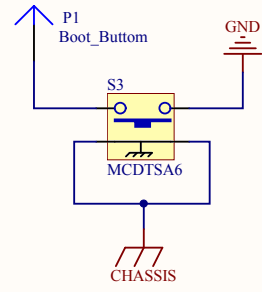
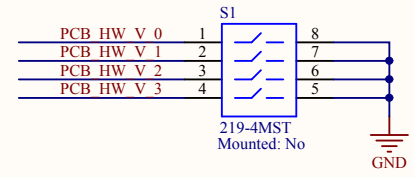
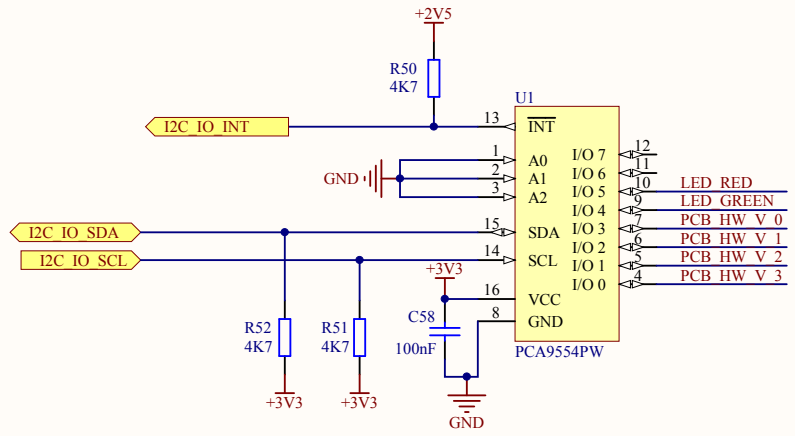
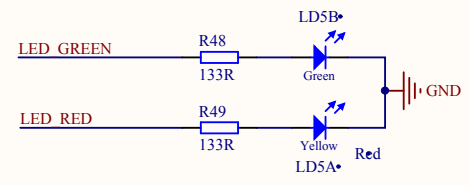
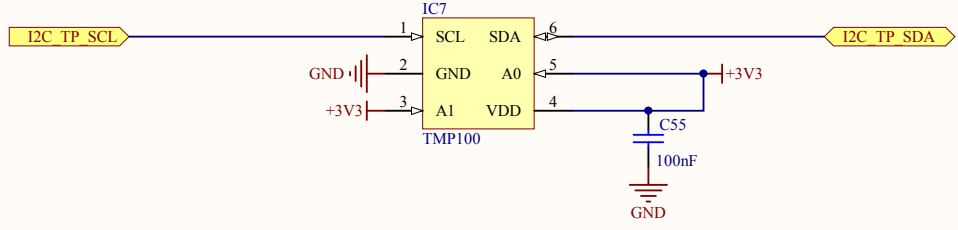


Title		
Size	Number	Revision
A3		
Date:	05/11/2012	Sheet of
File:	D:\White Rabbit\Connectors_GPIOs_Sch	Drawn By:

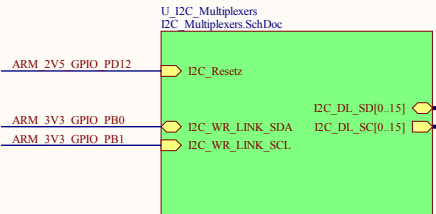
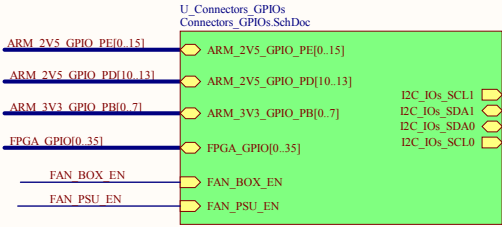
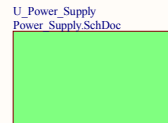
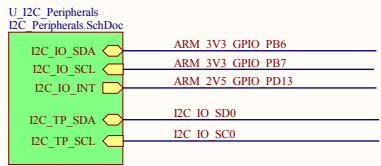


Copyright CERN 2011.
 This documentation describes Open Hardware and is licensed under the CERN OHL v. 1.1. You may redistribute and modify this documentation under the terms of the CERN OHL v.1.1. (<http://ohw.org/CERNOHL>). This documentation is distributed WITHOUT ANY EXPRESS OR IMPLIED WARRANTY, INCLUDING OF MERCHANTABILITY, SATISFACTORY QUALITY AND FITNESS FOR A PARTICULAR PURPOSE. Please see the CERN OHL v.1.1 for applicable conditions.

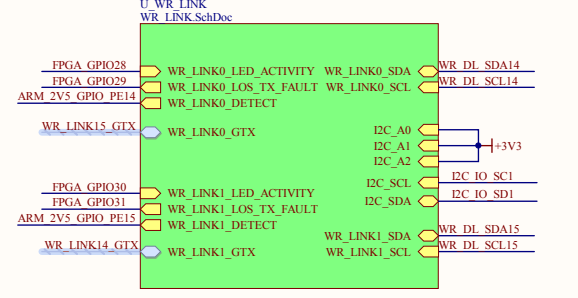
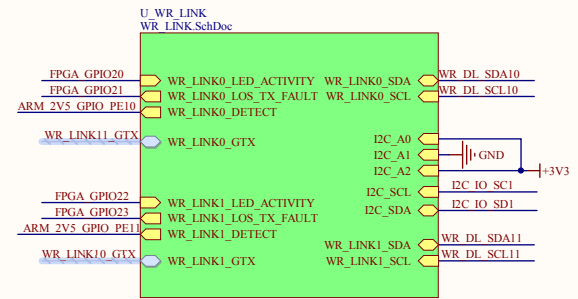
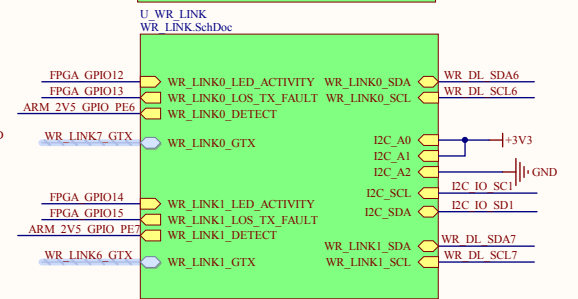
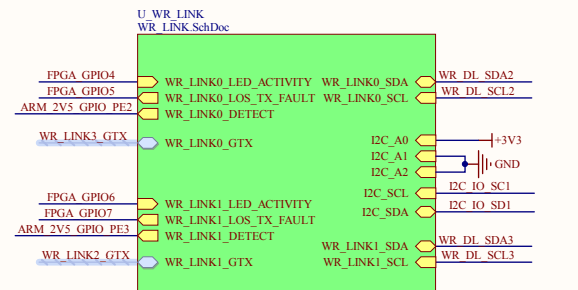
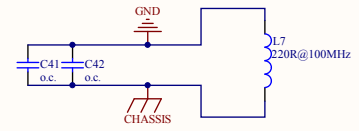
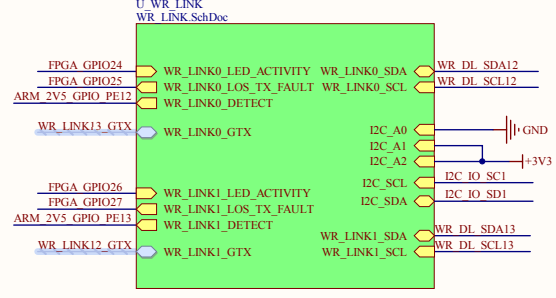
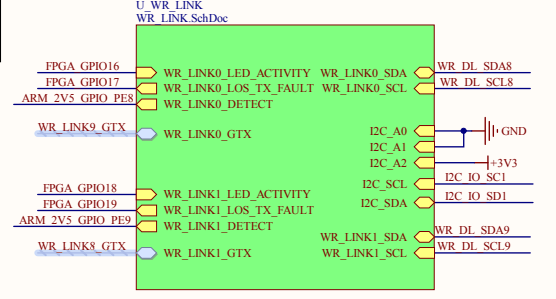
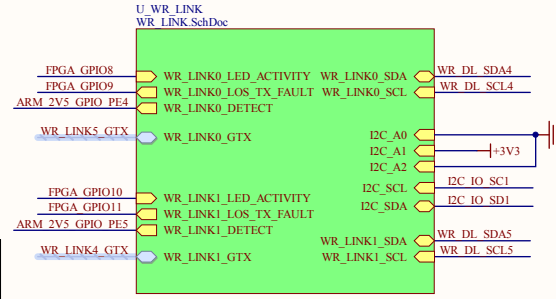
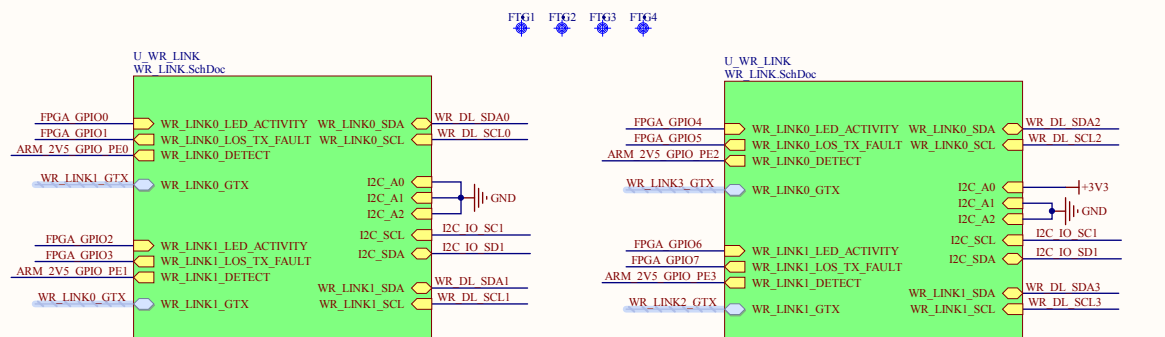
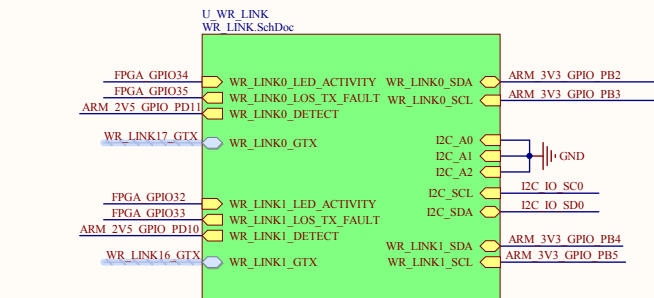
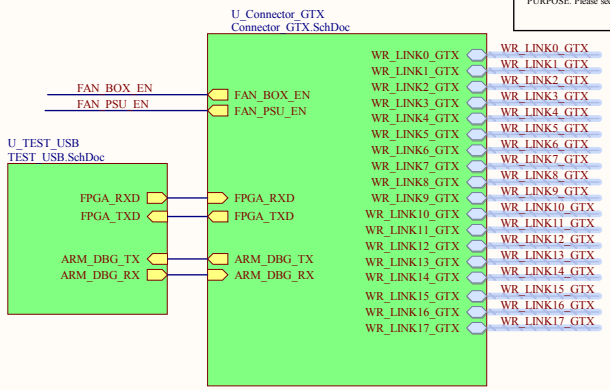
Title		
Size	Number	Revision
A4		
Date:	05/11/2012	Sheet of
File:	D:\White Rabbit\I2C Multiplexers.SchDoc\Drawn By:	



Title		
Size A4	Number	Revision
Date:	05/11/2012	Sheet of
File:	D:\White Rabbit\I2C Peripherals.SchDoc Drawn By:	



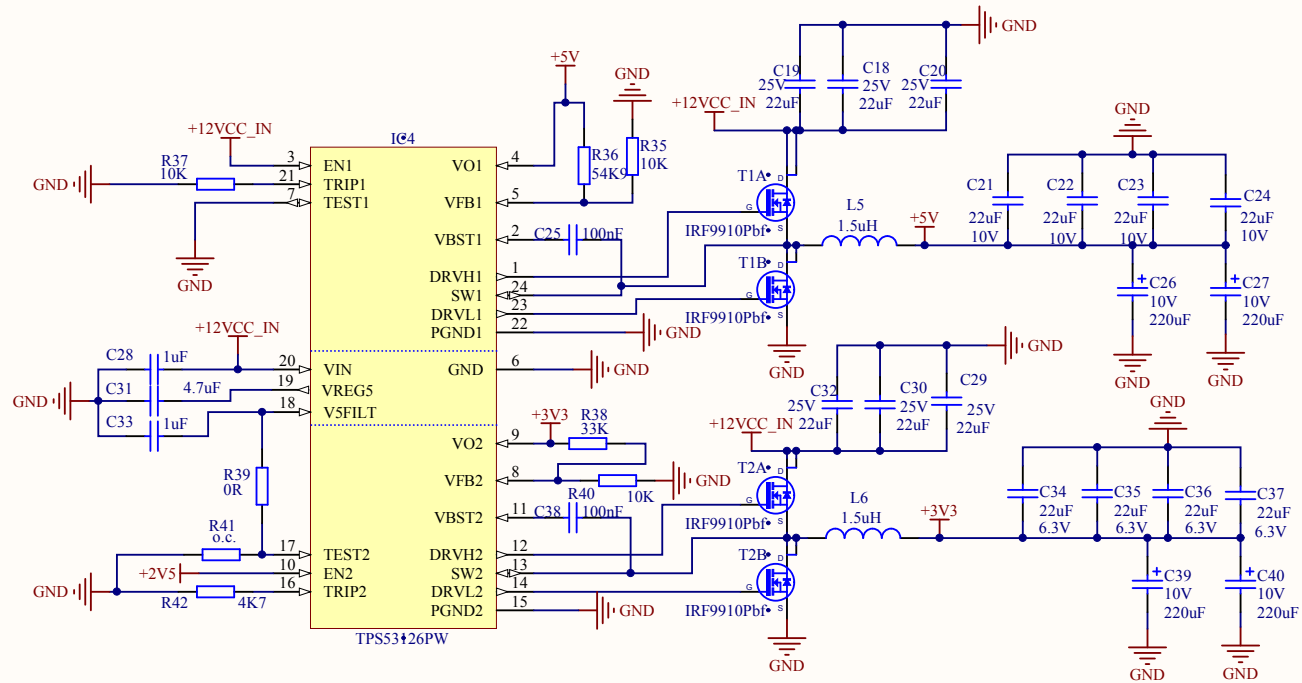
Copyright CERN 2011.
This documentation describes Open Hardware and is licensed under the CERN OHL v.1.1. You may redistribute and modify this documentation under the terms of the CERN OHL v.1.1. (<http://ohw.org/CERN/OHL>). This documentation is distributed WITHOUT ANY EXPRESS OR IMPLIED WARRANTY, INCLUDING OF MERCHANTABILITY, SATISFACTORY QUALITY AND FITNESS FOR A PARTICULAR PURPOSE. Please see the CERN OHL v.1.1 for applicable conditions.



Title		
Size A3	Number	Revision
Date: 05/11/2012	Sheet of	
File: D:\White Rabbit\Main.SchDoc	Drawn By:	

Copyright CERN 2011.

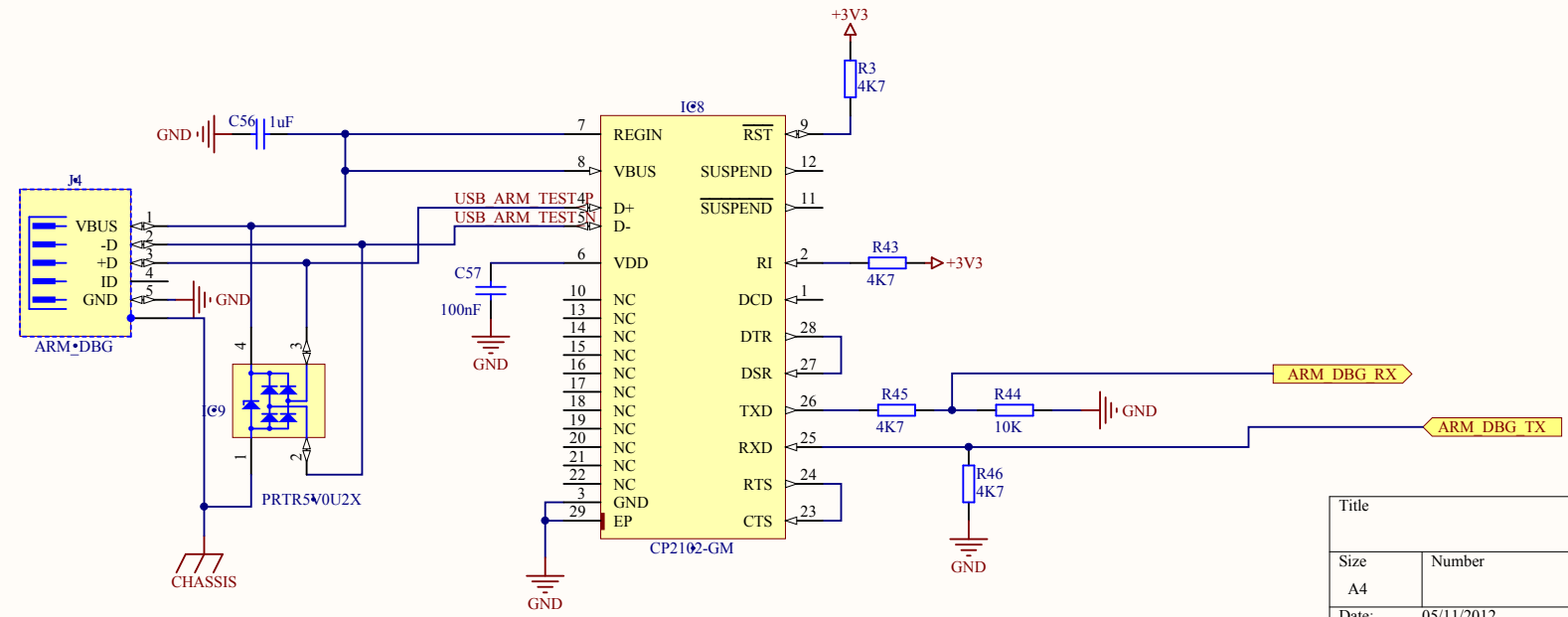
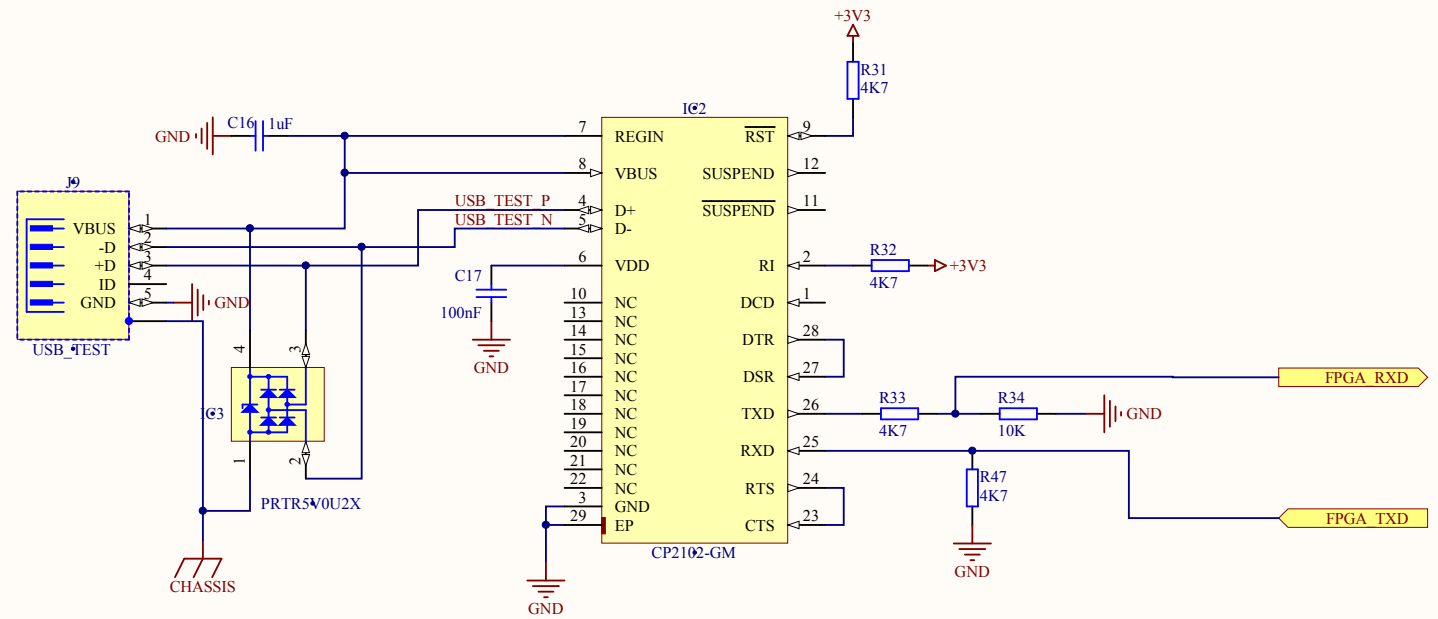
This documentation describes Open Hardware and is licensed under the CERN OHL v. 1.1. You may redistribute and modify this documentation under the terms of the CERN OHL v. 1.1. (<http://ohwr.org/CERNOHL>). This documentation is distributed WITHOUT ANY EXPRESS OR IMPLIED WARRANTY, INCLUDING OF MERCHANTABILITY, SATISFACTORY QUALITY AND FITNESS FOR A PARTICULAR PURPOSE. Please see the CERN OHL v.1.1 for applicable conditions.



Title		
Size	Number	Revision
A4		
Date:	05/11/2012	Sheet of
File:	D:\White Rabbit\...\Power_Supply.SchDoc	Drawn By:

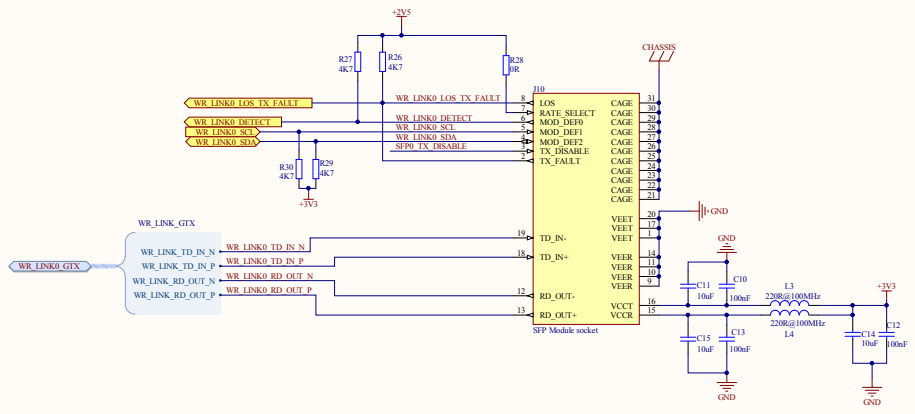
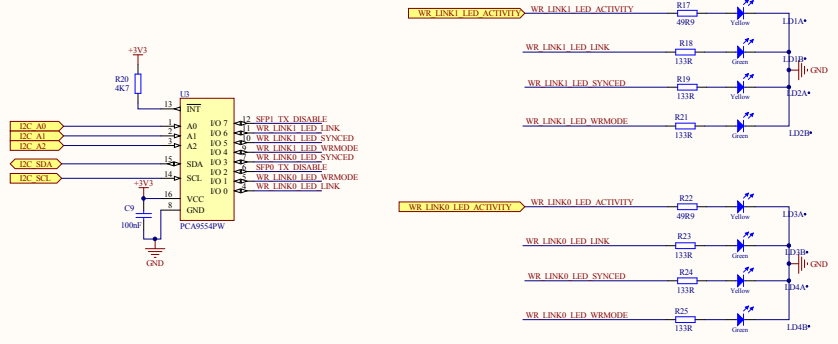
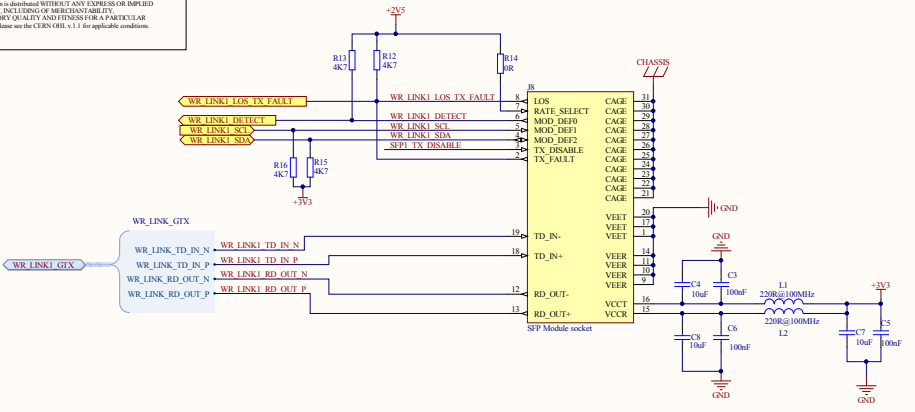
Copyright CERN 2011.

This documentation describes Open Hardware and is licensed under the CERN OHL v. 1.1. You may redistribute and modify this documentation under the terms of the CERN OHL v.1.1. (<http://ohwr.org/CERNOHL>). This documentation is distributed WITHOUT ANY EXPRESS OR IMPLIED WARRANTY, INCLUDING OF MERCHANTABILITY, SATISFACTORY QUALITY AND FITNESS FOR A PARTICULAR PURPOSE. Please see the CERN OHL v.1.1 for applicable conditions.



Title		
Size	Number	Revision
A4		
Date:	05/11/2012	Sheet of
File:	D:\White Rabbit\TEST USB.SchDoc	Drawn By:

Copyright © 2011.
 This documentation describes Open Hardware and is licensed under the
 CERN OHL v. 1.1. You may redistribute and modify this documentation
 under the terms of the CERN OHL v. 1.1, only under the CERN OHL. This
 documentation is distributed WITHOUT ANY EXPRESS OR IMPLIED
 WARRANTY, INCLUDING OF MERCHANTABILITY,
 SATISFACTORY QUALITY AND FITNESS FOR A PARTICULAR
 PURPOSE. Please see the CERN OHL v. 1.1 for applicable conditions.



Title		
Size	Number	Revision
A3		
Date:	05/11/2012	Sheet of
File:	D:\White Rabbit\WR LINK_SchDoc	Drawn By: